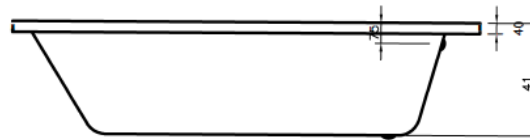
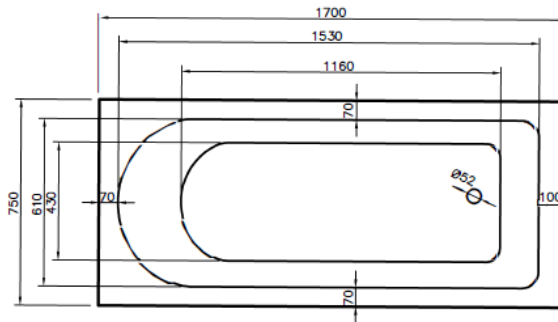


CUSTOMER DATA SHEET - BATHS

SALES CODE: BAI040

DESCRIPTION Lambert SE 1700 x 750 Single Ended Bath



PRODUCT DIMENSIONS

Length (mm)	Width (mm)	Depth (mm)	Nett Wgt Kg
1700	750	400	24.5

PACKAGING DIMENSIONS

Length (mm)	Width (mm)	Depth (mm)	Gross Wgt Kg

PACKAGING DATA

Box Colour	Brown Cardboard Sleeve		
Box Qty	1	Label Colour	White Label
Label Size	192 X 38	Label Qty	1

OUTER BOX DIMENSIONS (If Applicable)

Length (mm)	Width (mm)	Height (mm)	Gross Wgt Kg

PRODUCT DETAILS

Country of Origin	Poland	Certification	FSC	No	CE	Yes
Fitting Instruction	No	Material Colour Ref	European White			
Product Material	Acrylic	Material Thickness	4mm			
Volume (Ltr)	180L	Displaced Capacity	110L			
Leg Set Inc'	Legset Not Included	Waste Inc'	Waste Not Included			
Drilled/Undrilled	Undrilled For Taps	Includes Grips	No Grips Supplied			
Embossed	No	No of Tapholes	None			
Anti-Slip	No					