

## QUEST

### Two-Handled Basin Mixer with Clicker Waste

#### Product Specification

**Product Code:** QST BAS2 C  
**Finish:** Chrome  
**Product Type:** Contemporary  
**Construction:** Body is of Brass Construction and is designed to conform to BS EN 817  
**Supply:** Suitable for all plumbing systems  
**Valve Type:** ¼ turn ½" Ceramic Disc Valve  
**Inlet Connections:** M10 x 15mm Copper Connecting Pipes  
**Working Pressures:** Min 0.2bar, Max 8.0bar  
**Dimensions for Fitting:** 105 (H) mm, 147 (W) mm, 125 (D) mm



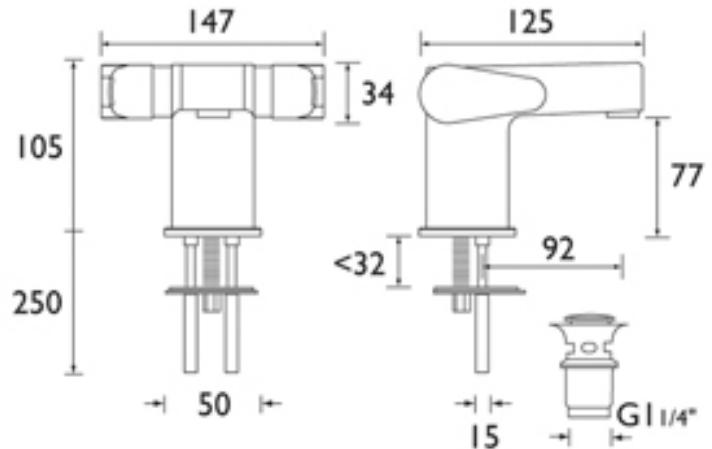
© Bristan Group 2009

#### Additional Information

- Supplied with Metal Handles
- Supplied with Clicker Waste
- Chrome plated to BS EN 248

#### Compliance/Approvals

WRAS Approval No: 1107103



#### Flow Rates (litres per minute)

System Pressure	0.2bar	0.5bar	1.0bar	2.0bar	3.0bar	5.0bar
Open Outlet	11.13	17.6	24.88	35.19	43.1	55.64

**Technical Advice:** For further information please call 0844 7016273 or email [customer@bristan.com](mailto:customer@bristan.com)

**Guarantee:** 5 years covering manufacturing faults.

