

TECHNICAL DATA SHEET



RENAISSANCE

Basin Mixer with Pop-Up Waste

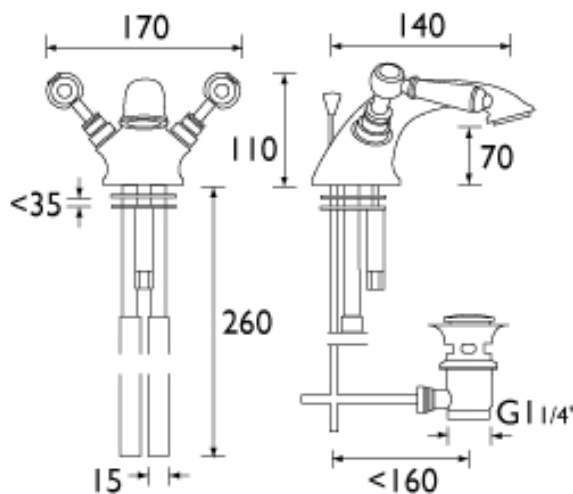
Product Specification



Product Code: RS BAS C
Finish: Chrome
Product Type: Traditional
Construction: Tap bodies are of all brass construction and are designed to conform to BS EN 200
Valve Type: ¼ turn ½ " Ceramic Disc
Supply: Suitable for all plumbing systems
Inlet Connections: M12 x 15mm screw-in copper connection pipes
Water Pressure: Min 0.2 bar Max. 8.0 bar

Additional Information

- Supplied with pop-up waste
- Chrome plated to BS EN 248

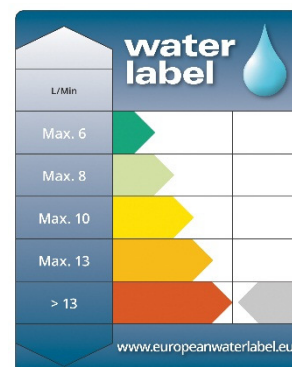


Flow Rates (litres per minute)

System Pressure	0.2bar	0.5bar	1.0bar	2.0bar	3.0bar	5.0bar
RS BAS C (Mixed)	12.4	21.4	31	44.2	54.4	70.3

Compliance / Approvals

WRAS Approval No: 1307035



Technical Advice: For further information please call 0844 7016273
 or email customer@bristan.com

Guarantee: 5 years covering manufacturing faults.

Bristan, Birch Coppice Business Park, Dordon, Tamworth, B78 1SG
 Telephone: 0844 701 6274 Facsimile: 0844 701 6275
 Web Site: www.bristan.com Email: enquire@bristan.com



The information contained on this page was correct at date of issue. Fitting dimensions are provided as a guide only. Some variation may occur due to manufacturing tolerances. Bristan pursues a policy of continuing improvement in design and performance of its products and so reserves the right to change specifications without prior notice.