

CL TBAS C

CHILL Tap Range Chill Tall Basin Mixer without Waste Chrome



Specification	
Style:	Contemporary
Product Type:	Bathroom Taps
Finish/Colour:	Chrome
Main Construction Material:	Brass
Mount Type:	Deck Mounted
Handle Type:	Single Lever
Connection Inlet:	M10 Flexible Tails
Number of Tap Holes Required:	1
Valve/Cartridge Type:	40mm Ceramic Disc Cartridge
Plumbing System Suitability	Ideally Balanced
Working Pressure Range:	Min. 0.3 bar, Max. 5.0 bar
Maximum Hot Water Temperature: °c	65
Maximum Dynamic Pressure: (bar)	5
Maximum Static Pressure: (bar)	10
Flow Type:	Single
Flow Rate: (l/min @ 3 bar)	17.2
Connection Outlet:	N/A
Isolation Included:	No

Features:

- Brass construction
- Ceramic disc cartridge for smooth temperature and flow control
- Flexible tails included
- Metal fixing nut for added durability
- Swivel spout

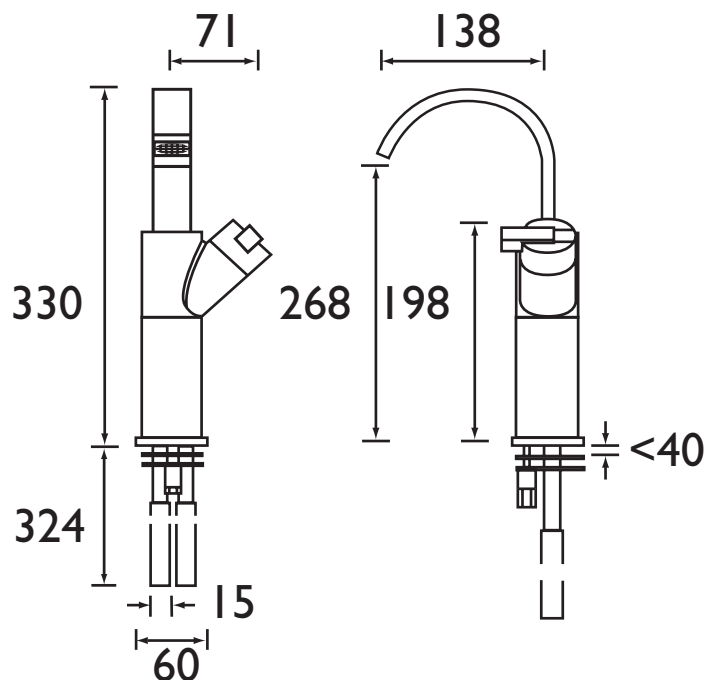
Product Certifications:



For more products, visit our website:



Dimensions (measurements in mm)



Flow Rates (l/min)

System Pressure (bar)	0.3	0.5	1	2	3	5
CL TBAS C	5.2	6.6	9.7	14	17.2	22.5

TECHNICAL
DATA
SHEET



BRISTAN
TAPS & SHOWERS

D8