

TECHNICAL DATASHEET

HAMPTON Bath Filler

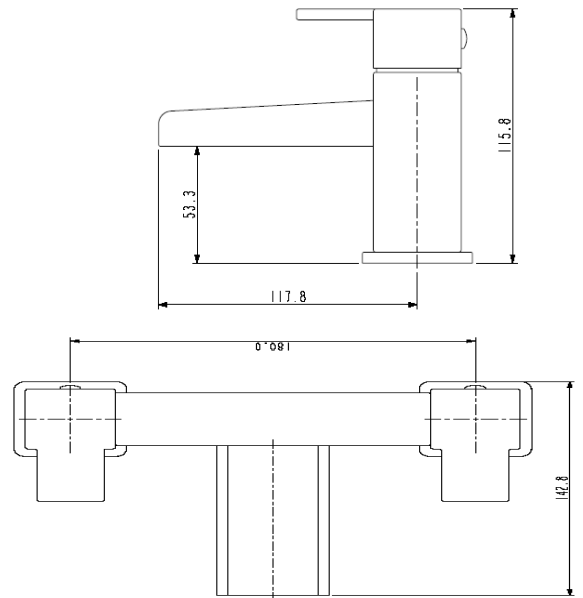
Product Specification

Product Code:	HA BF C
Finish:	Chrome
Product Type:	Contemporary
Construction:	Body is of brass construction and is designed to conform to BS EN 200
Valve Type:	1/4 Turn 3/4" Ceramic disc valves
Supply:	Suitable for high pressure systems only
Inlet Connections:	3/4" BSP
Outlet Connection:	Rectangular flow straightener
Working Pressures:	Min. 1.0 Max 8.0



Additional Information

- Supplied with metal lever handle.
- Chrome plated to BS EN 248.



Flow Rates (litres per minute)

System Pressure	1.0bar	1.5bar	2bar	3bar	4bar	5bar
Bath Filler (Single Side)	20.9	25.2	28.7	33.7	38.3	41.7
Bath Filler (Mixed)	39.0	47.4	54.9	66.2	76.4	81.0

Compliance/Approvals

Manufactured to comply with WRAS

Technical Advice: For further information please call 0844 7016273 or email customercare@bristan.com

Guarantee: 5 years covering manufacturing faults.