

TECHNICAL DATASHEET

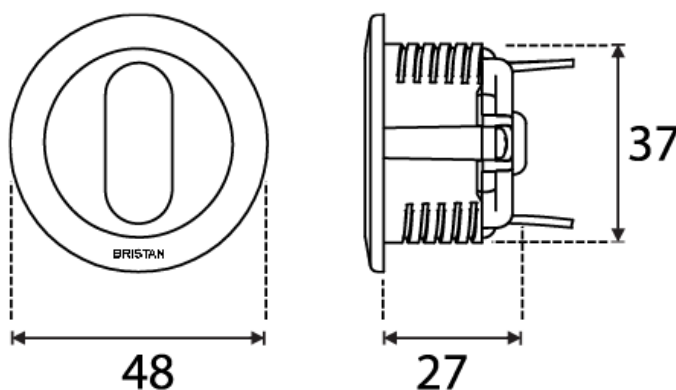
BRISTAN

COMMERCIAL

Concealed Infra-Red Automatic Urinal Flush Control

Product Specification

| | |
|--------------------|---|
| Product Code: | AUF 1 C (Battery Operated) AUF 2 C (Mains Operated) |
| Finish: | Chrome |
| Product Type: | Commercial |
| Valve Type: | Solenoid valve |
| Supply: | Suitable for all plumbing systems (Preferably balanced) |
| Power Supply: | 4 x alkaline AA (LR6) batteries |
| Inlet Connections: | 15mm compression connections |
| Working Pressures: | Min 0.5bar, Max 5.0bar Maximum Static Pressure 10.0bar |



Additional Information

- Infrared automatic flush directly from cold water system.
- Easy installation – No mains wiring required for AUF 1 C where as AUF 2 C is mains powered
- No cistern required.
- Vandal resistant concealed installation.
- Fully adjustable with hygiene flush setting.
- Flush time – 7 seconds.
- 2 years battery life under typical usage conditions.
- BREEAM compliant water saving product.

Compliance / Approvals

WRAS Approval No: 1306057

• **Technical Advice:** For further information please call 0844 7016273 or email customer care@bristan.com

Guarantee: 1 year covering manufacturing faults.

Bristan, Birch Coppice Business Park, Dordon, Tamworth, B78 1SG
Telephone: 0844 701 6274 Facsimile: 0844 701 6275
Web Site: www.bristan.com Email: enquire@bristan.com



The information contained on this page was correct at date of issue. Fitting dimensions are provided as a guide only. Some variation may occur due to manufacturing tolerances. Bristan pursues a policy of continuing improvement in design and performance of its products and so reserves the right to change specifications without prior notice.