

TECHNICAL DATA SHEET

EBONY Basin Taps

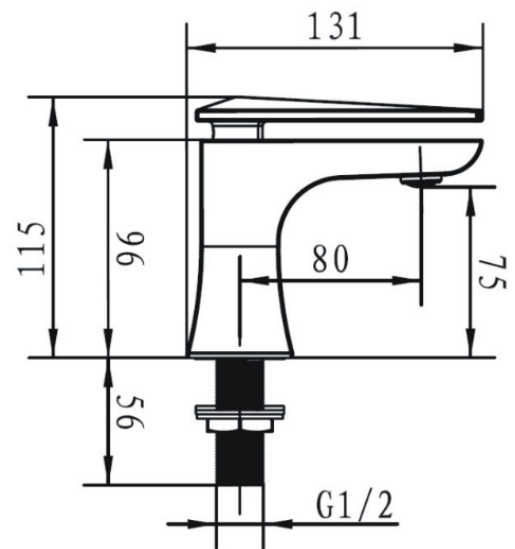
Product Specification

Product Code:	EBY ½ C
Finish:	Chrome plated
Product Type:	Traditional
Construction:	Bodies are of all brass construction and are designed to conform to BS EN 200
Valve Type:	¼ turn ½" ceramic disc valves
Supply:	Suitable for all plumbing systems
Inlet Connections:	½" BSP
Working Pressures:	Min 0.2 Bar Max 5.0 Bar



Additional Information

- Supplied with metal handles
- Supplied with metal backnuts
- Chrome plated to BSN EN 248



Flow Rates (litres per minute)

System Pressure	0.2bar	0.5bar	1.0 bar	2.0 bar	3.0bar	5.0bar
EBY ½ C	7.2	11.4	16.5	23.4	28.8	37.2

Technical Advice: For further information please call 0844 7016273 or email customer care@bristan.com.

Guarantee: 5 years covering manufacturing faults.