

TECHNICAL DATA SHEET

EXODUS

Bath Shower Mixer

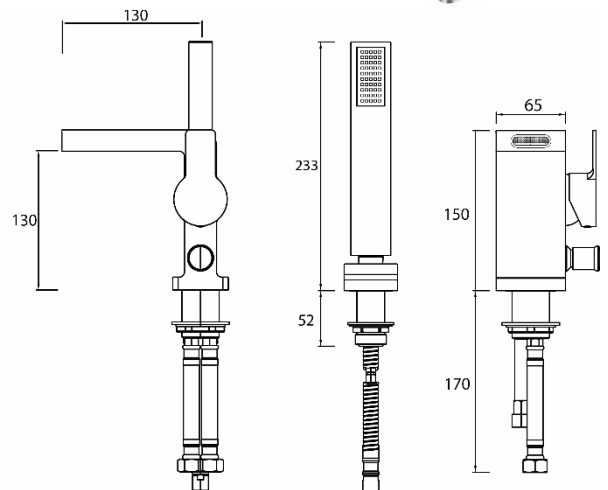
Product Specification

Product Code:	EXD 2HBSM C
Finish:	Chrome plated
Product Type:	Contemporary
Construction:	Bodies are of all brass construction and is designed to conform to BS EN 200
Cartridge Type:	40mm Cartridge
Supply:	Suitable for high pressure plumbing systems
Inlet:	M12 15mm Compression Flexible Tails
Working Pressures:	Min 1.0 Bar Max 5.0 Bar



Additional Information

- Chrome plated to BS EN 248.
- Supplied with metal handle.
- Supplied with rub clean handset and 200cm shower hose.
- Red Dot 2016 Award Winner

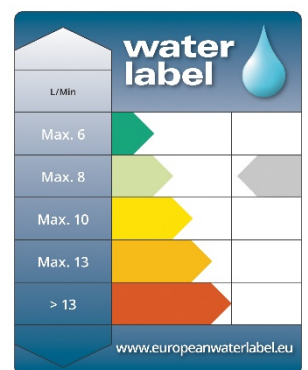


Flow Rates (litres per minute)

System Pressure	1.0 bar	2.0 bar	3.0bar	4.0bar	5.0 bar
EXD 2HBSM C (mixed)	11.0	15.9	19.6	22.7	25.4
EXD 2HBSM C (shower)	4.3	6.3	7.7	8.9	9.4

Technical Advice: For further information please call 0844 7016273 or email customercare@bristan.com.

Guarantee: 5 years covering manufacturing faults.



Bristan, Birch Coppice Business Park, Dordon, Tamworth, B78 1SG
 Telephone: 0844 701 6274 Facsimile: 0844 701 6275
 Web Site: www.bristan.com Email: enquire@bristan.com

