

## FLUTE

### Concealed Sequential Shower Valve with Adjustable Riser Kit

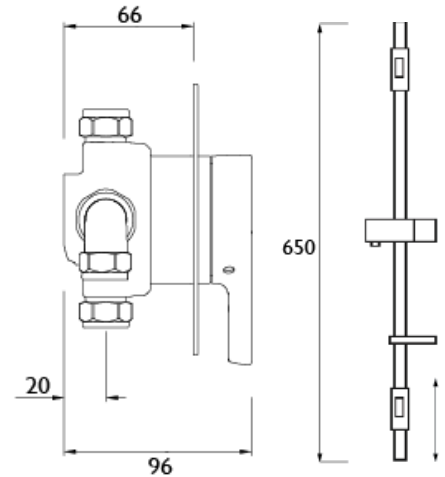
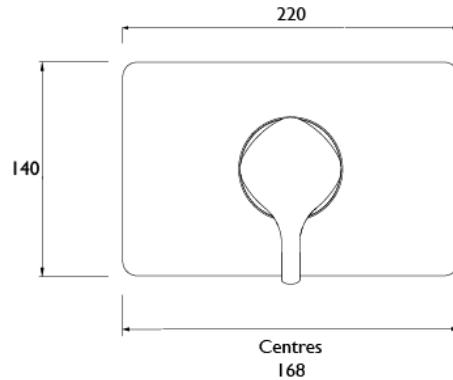
#### Product Specification

Product Code:	FLT SQSHCAR C
Finish:	Chrome
Connection Inlet:	15mm Compression
Maximum Temperature:	Pre-set 42oC
Pressure Range:	Min 0.1 Bar, Max 5.0 Bar
Dimensions for Fitting:	168mm centres



#### Additional Information

- Chrome plated to BS EN 248:2002
- Supplied with 2 x 8 l/min. flow regulators
- Factory fitted regulators means this is a water saving shower
- Matching taps available
- The height of the bottom bracket on the Riser adjusts to cover existing wall fixing holes



#### Flow Rates (litres per minute)

System Pressure	0.1bar	0.2bar	0.5bar	1bar	2bar	3bar	5bar
Without Flow Regulators	2.5	2.5	3.9	5.8	8.3	10.2	14.1
With Flow Regulators	---	---	3.8	5.6	8	10	10.1

**Technical Advice:** For further information please call 0844 7016273 or email [customer@bristan.com](mailto:customer@bristan.com)

**Guarantee:** 5 years covering manufacturing faults.