

PS2 1/2 C

PISA Tap Range Pisa 2 Basin Taps Chrome



Features:

- Chrome Plated to BS EN 248

Product Certifications:



WRAS Certificate Number: 1711002
WRAS Expiry Date: 30/11/2022



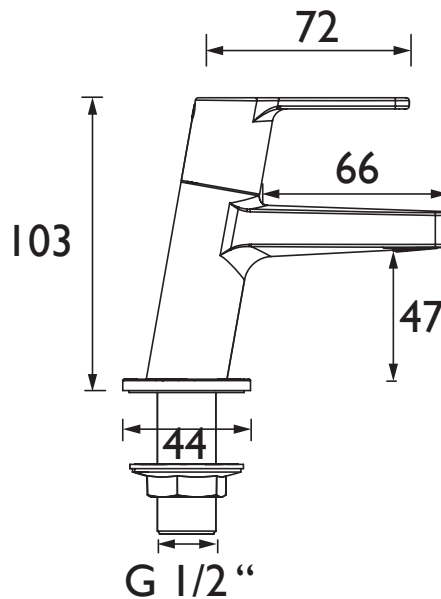
For more products, visit our website:
<http://www.bristan.com>



Specification

Style:	Contemporary
Product Type:	Bathroom Taps
Finish/Colour:	Chrome
Main Construction Material:	Brass
Mount Type:	Deck
Handle Type:	Lever
Connection Inlet:	G 1/2"
Number of Tap Holes:	2
Valve/Cartridge Type:	Ceramic Disc
Plumbing System Requirements:	All, preferably balanced
Working Pressure Range:	Min 0.3 bar, Max 5.0 bar
Maximum Hot Water Temperature: °C	80
Maximum Dynamic Pressure: (bar)	5
Maximum Static Pressure: (bar)	Max 10.0
Flow Rate: (l/min @ 3 bar)	33

Dimensions (measurements in mm)



Flow Rates (l/min)

System Pressure (bar)	0.3	0.5	1	2	3	5
PS2 1/2 C	9.9	13	19.1	26.9	33	42

TECHNICAL DATA SHEET



BRISTAN

TAPS & SHOWERS

D2