

# GLL SKQUA1.5 ML

## QUARTZ Sink Range Gallery Quartz Easyfit Sink 1.5 Bowl Midnight Grey Left Drainer



### Specification

Main Construction Material:	Composite Resin
Number of Tap Holes:	1
Product Finish:	Midnight Grey
Sink Type:	1.5 Bowl
Connection Inlet:	1/2" BSP Flexible Tails
Connection Outlet:	G 1 1/2"
Product Orientation:	Right Drainer
Drainage Flow Rate (litres per minute)	37.2

### Features:

- Easy installation: pre-fitted with Easyfit tap base, flexible inlet pipes and isolators
- Everything you need: strainer waste, overflow, pipework and fixings included
- Made to last: Highly durable 80% Quartz, anti-bacterial composite material
- Includes cutting-hole template
- 25 year guarantee (Easyfit base 5 years)

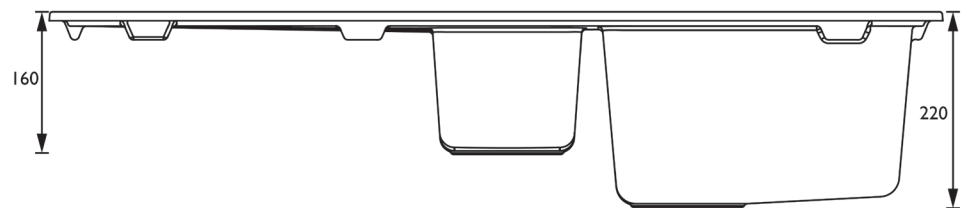
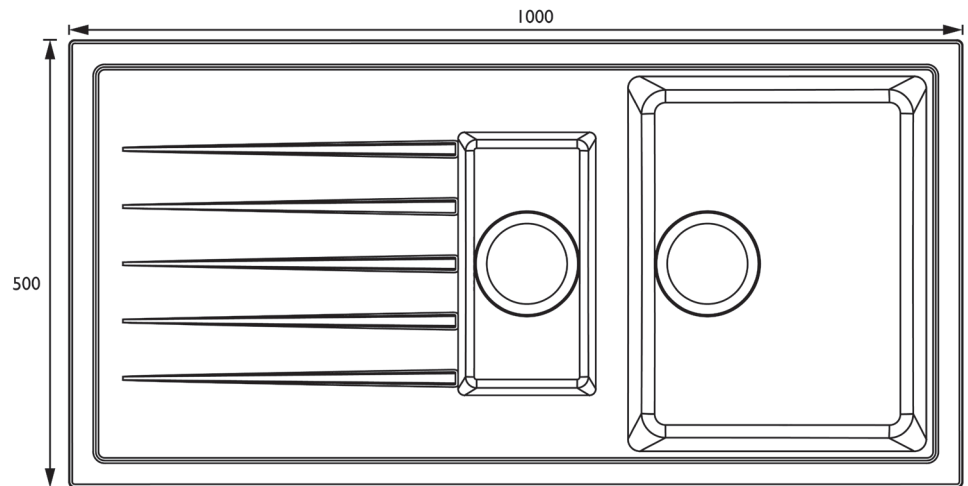
### Product Certifications:



For more products, visit our website:  
<http://www.bristan.com>



### Dimensions (measurements in mm)



**Minimum Cabinet Width: 600mm**

**TECHNICAL  
DATA  
SHEET**



Kitchen Sinks



Tap



Waste Kit

**BRISTAN**  
TAPS & SHOWERS D2