

SOQ2 SHXAR C

SONIQUE Shower Range Sonquie2 Thermostatic Surface Mounted Shower Valve with Adjustable Riser Chrome



Features:

- 15mm inlet connections
- Easy replacement with adjustable inlets so you can use on existing pipework centres between 110mm and 155mm
- Thermostatic cartridge with preset temperature stop at 42°C
- Supplied with 1 x 7L/min and 1 x 5L/min flow regulators

Product Certifications:



WRAS Certificate No: 1905901
WRAS Expiry Date: 31/05/2024



TMV2 Cert. Number: NSF2126/0619
TMV2 Expiry Date: 13/06/2024



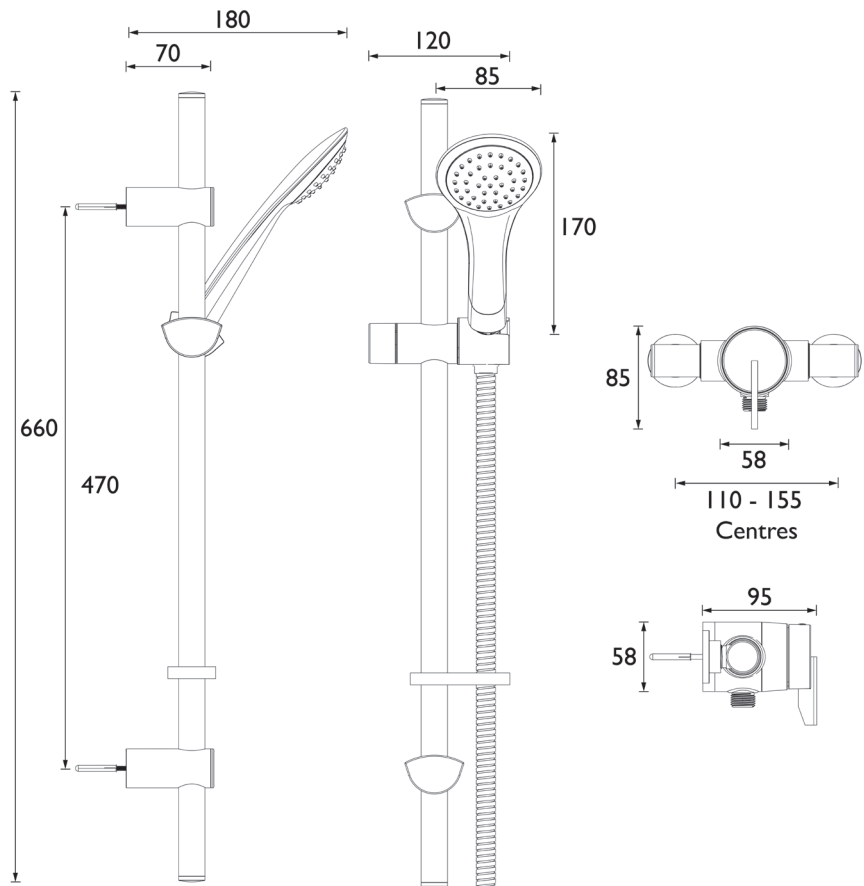
For more products, visit our website:
<http://www.bristan.com>



Specification

| | |
|--|-----------------------------|
| Finish/Colour: | Chrome |
| Main Construction Material: | Brass |
| No of Controls: | 1 |
| Shower Type: | Thermostatic |
| Shower Head Type: | Adjustable |
| Valve/Cartridge Type: | Exposed |
| Maximum Hot Water Supply Temperature °C: | 65 |
| Maximum Static Pressure: (bar) | 10 |
| Plumbing System Suitability: | All - Ideally Balanced |
| Working Pressure Range: | Min. 0.1 Bar - Max. 5.0 Bar |
| Connection Inlet: | 15mm Compression Elbows |
| Connection Outlet: | G 1/2" |

Dimensions (measurements in mm)



Flow Rates (l/min)

| System Pressure (bar) | 0.2 | 0.5 | 1 | 2 | 3 | 5 |
|-------------------------|-----|-----|------|-------|------|-------|
| With Flow Regulators | -- | -- | 6.7 | 7.2 | 7.5 | 7.8 |
| Without Flow Regulators | 5.9 | 10 | 18.9 | 26.73 | 46.3 | 59.77 |

TECHNICAL DATA SHEET



BRISTAN