



Features:

- Metal backplate and handles
- Integral two outlet diverter
- Valve will fit in 35mm cavity space
- Fully serviceable from the front
- Supplied with wall outlet

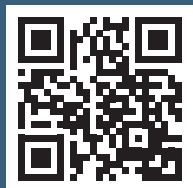
Product Certifications:



WRAS Cert. Number: 2005901
WRAS Expiry Date: 31/05/2025



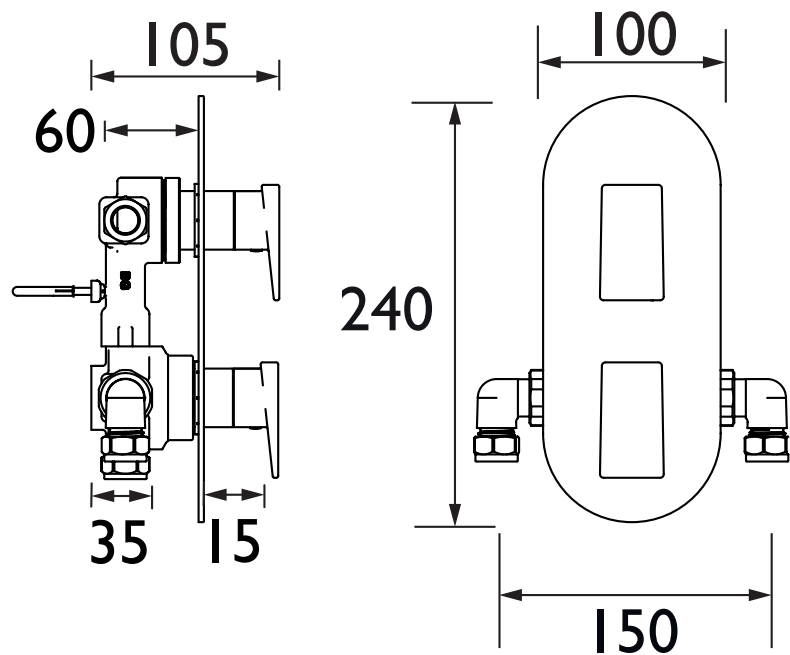
For more products, visit our website:
<http://www.bristan.com>



Specification

Style:	Contemporary
Finish/Colour:	Chrome/Champagne Shimmer
Main Construction Material:	Brass
Connection Inlet:	1/2" BSP
Connection Outlet:	1/2"
No of Controls:	2
Shower Type:	Dual Control
Valve/Cartridge Type:	Thermostatic
Plumbing System:	Suitable for All Plumbing Systems
Minimum Dynamic Pressure:	0.2 Bar
Maximum Dynamic Pressure:	5.0 Bar
Maximum Static Pressure: (bar)	10
Maximum Hot Water Supply Temperature °C:	65
Isolation Valve Included:	No
Check Valve Included:	No

Dimensions (measurements in mm)



Flow Rates (l/min)

System Pressure (bar)	0.2	0.5	1	2	3	5
Open Outlet (SHCDIV)	6.9	12.8	19	27.6	33	42.49

TECHNICAL DATA SHEET

