

VAX 3/4 C

CROSS HEAD Tap Range Cross Head Bath Taps Chrome



Features:

- Metal back nuts for added durability
- Metal handles
- Chrome plated to BS EN 248

Specify As:

Bristan "VAX 3/4 C" Cross Top Basin Taps with cross heads, 3/4" BSP threaded inlet tails and compression valves. Product is WRAS Approved with a 5 year warranty. Manufacturer: Bristan Group Limited. Contact Details: contractenquiry@bristan.com

Product Certifications:



WRAS Cert. Number: 2007904
WRAS Expiry Date: 31/07/2025



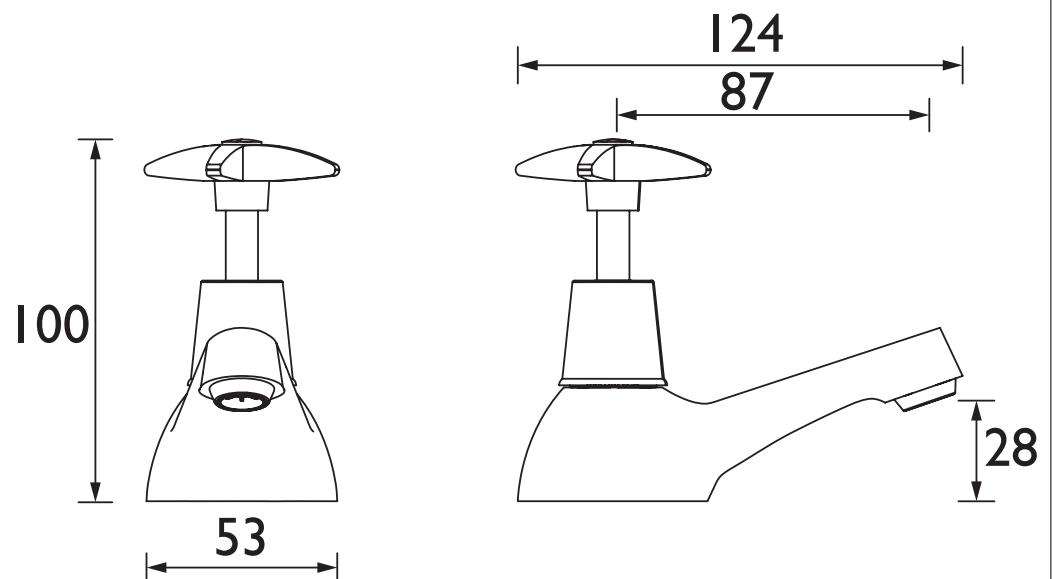
For more products, visit our website:
<http://www.bristan.com>



Specification

Product Type:	Bathroom Taps
Main Construction Material:	Brass
Mount Type:	Deck Mounted
Handle Type:	Cross Head
Connection Inlet:	3/4" BSP
Connection Outlet:	M16 Aerator
Number of Tap Holes:	2
Valve/Cartridge Type:	1/2" Compression Valve
Plumbing System Requirements:	Suitable for all plumbing systems
Minimum Dynamic Pressure:	0.2 Bar
Maximum Dynamic Pressure:	5.0 Bar
Maximum Hot Water Temperature: °C	65
Maximum Static Pressure: (bar)	10
Flow Type:	Single flow
Isolation Included:	No
Check Valve Included:	No

Dimensions (measurements in mm)



Flow Rates (l/min)

System Pressure (bar)	0.2	0.5	1	2	3	5
VAX 3/4 C	11.2	17.75	24.8	35.5	43.3	55.8

TECHNICAL DATA SHEET



BRISTAN

D8