

# K B F C

## COLONIAL Tap Range Colonial Bath Filler Chrome



### Features:

- Crosshead handles for ease of use
- Metal back nuts for added durability
- Supplied with metal handles
- Chrome plated to BS EN 248

### Product Certifications:

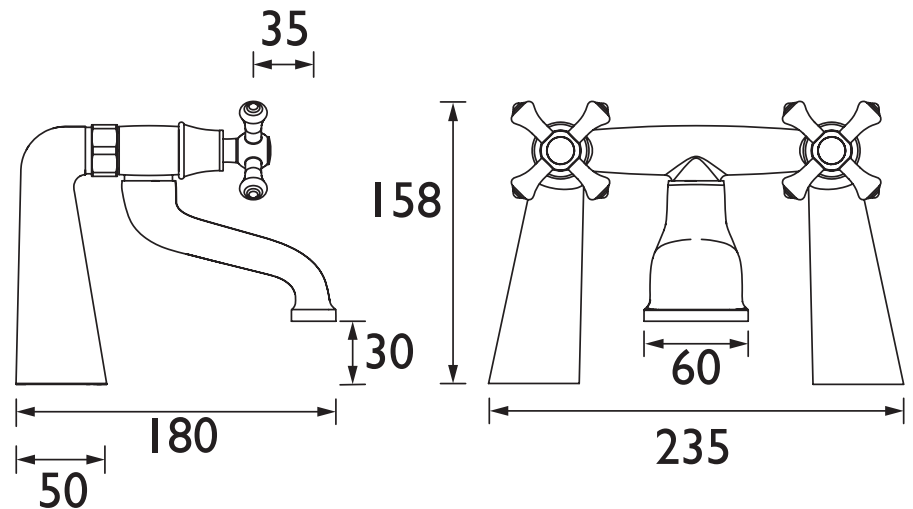
For more products, visit our website:  
<http://www.bristan.com>



### Specification

Product Type:	Taps
Main Construction Material:	Brass
Mount Type:	Deck
Handle Type:	Crosshead
Connection Inlet:	3/4" BSP
Connection Outlet:	N/A
Number of Tap Holes:	2
Valve/Cartridge Type:	1/2" Standard Valves
Plumbing System Requirements:	Suitable for all plumbing systems
Minimum Dynamic Pressure (bar):	0.2 bar
Maximum Dynamic Pressure (bar):	5.0 bar
Maximum Hot Water Temperature °C:	65°C
Maximum Static Pressure (bar):	10 bar
Flow Type:	Single
Isolation Included:	No

### Dimensions (measurements in mm)



### Flow Rates (l/min)

System Pressure (bar)	0.2	0.5	1	2	3	5
K B F C (mixed)	38.7	61.2	86.5	122.3	149.8	193.4

## TECHNICAL DATA SHEET



# BRISTAN

D8