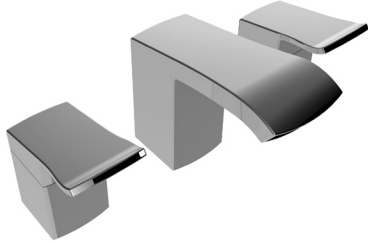


DSC 3HBF C

DESCENT Tap Range Descent 3 Hole Bath Filler Chrome

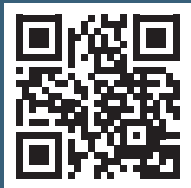


Features:

- Long life and easy to use 1/4 turn ceramic disc valves
- Metal back nuts for added durability
- Minimum working pressure of 0.4 bar

Product Certifications:

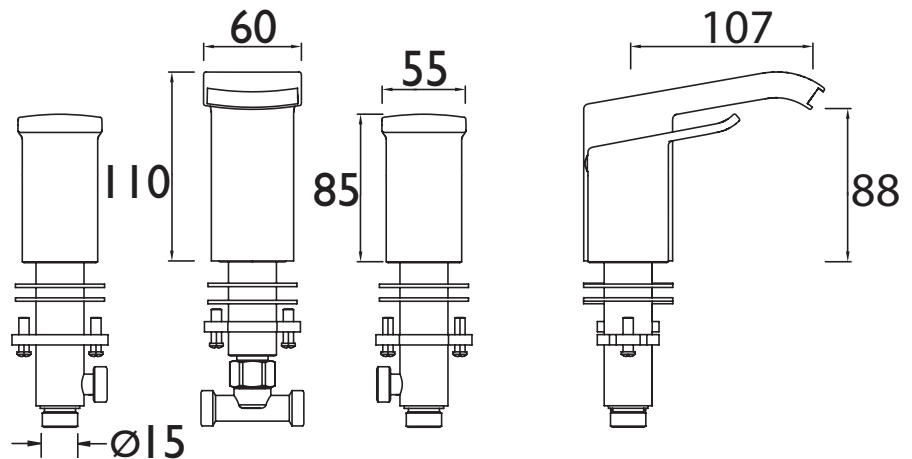
For more products, visit our website:
<http://www.bristan.com>



Specification

Product Type:	Taps
Main Construction Material:	Brass
Mount Type:	Deck
Handle Type:	Lever
Connection Inlet:	3/4" BSP threaded tail
Connection Outlet:	N/A
Number of Tap Holes:	3
Valve/Cartridge Type:	3/4" Ceramic Disc Valve 1/4 Turn
Plumbing System Requirements:	Suitable for all plumbing systems
Minimum Dynamic Pressure (bar):	0.4 bar
Maximum Dynamic Pressure (bar):	5.0 bar
Maximum Hot Water Temperature °C:	60°C
Maximum Static Pressure (bar):	10 bar
Flow Type:	Single
Isolation Included:	No

Dimensions (measurements in mm)



Flow Rates (l/min)

System Pressure (bar)	0.4	0.5	1	2	3	5
DSC 3HBF C (mixed)	17.9	20	28.3	40	49	63.3

TECHNICAL
DATA
SHEET



BRISTAN

D3