

W BASIN06 C

Wastes
Square Slotted Clicker Basin Waste Chrome



Specification

Contemporary or Traditional:	Contemporary
Main Construction Material:	Brass
Connection Inlet:	G1 1/4"
Waste Flow Rate (litres per minute):	31.8
What's in the Box?:	1x Slotted Waste Body, 1x Clicker Mechanism, 2x Rubber Washers, 1x Metal Backnut

Features:

- Solid brass construction
- Metal back nut for added durability

Product Certifications:

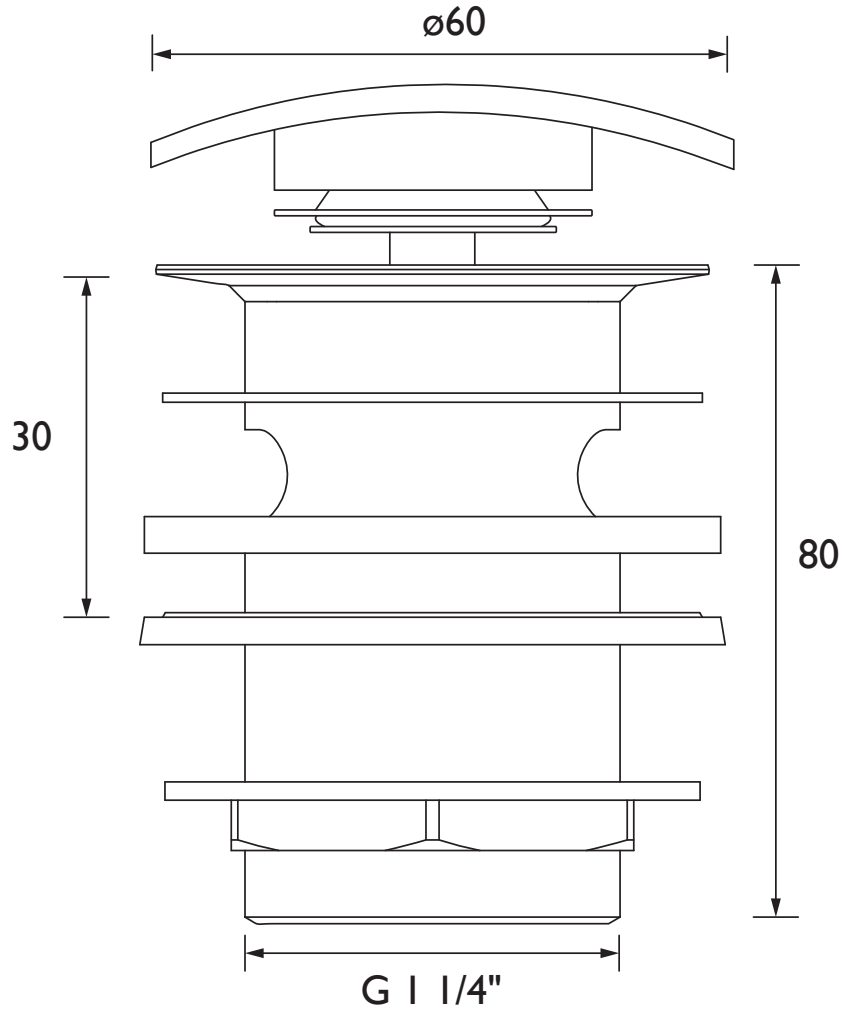
Variant SKUs:

- W BASIN07 C

For more products, visit our website:
<http://www.bristan.com>



Dimensions (measurements in mm)



TECHNICAL
DATA
SHEET



BRISTAN

D4