



Specification

Product Type:	Bathroom Tap
Main Construction Material:	Brass
Mount Type:	Deck
Handle Type:	Lever
Connection Inlet:	G3/4"
Connection Outlet:	M28 Anti-Splash
Number of Tap Holes:	2
Valve/Cartridge Type:	1/4 Turn 3/4" Ceramic Disc Valve
Plumbing System Requirements:	Suitable for all plumbing systems
Minimum Dynamic Pressure (bar):	0.2 bar
Maximum Dynamic Pressure (bar):	5.0 bar
Maximum Hot Water Temperature °C:	65°C
Maximum Static Pressure (bar):	10 bar
Flow Type:	Single
Isolation Included:	No

Features:

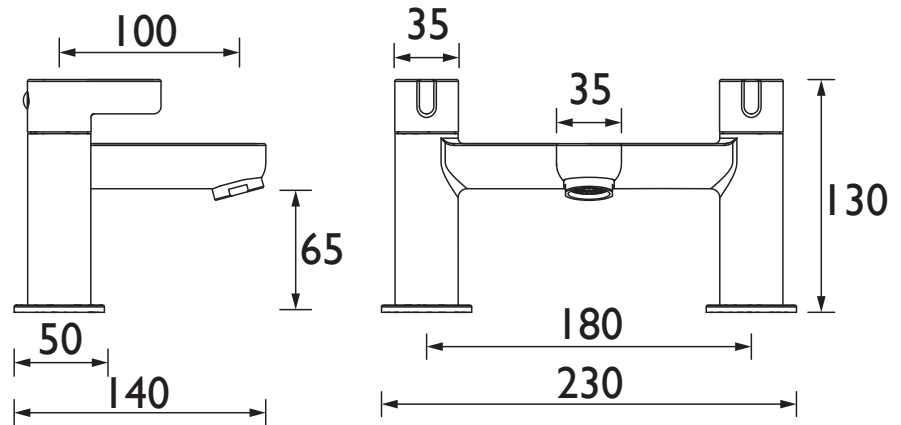
- Long life and easy to use 1/4 turn ceramic disc valves
- Metal back nuts for added durability
- 3/4" Valve

Product Certifications:



WRAS Certificate No: 2201901
WRAS Expiry Date: 31/01/2027

Dimensions (measurements in mm)



For more products, visit our website:
<http://www.bristan.com>



Flow Rates (l/min)

System Pressure (bar)	0.2	0.5	1	2	3	5
CLI BF C (mixed)	26.9	46.4	66.5	94	115.2	148

TECHNICAL DATA SHEET



BRISTAN