

CAP EBAS C

CAPRI Tap Range Capri Eco Basin Mixer with Pop-up Waste Chrome



Features:

- Long life ceramic cartridge for added durability and ease of use
- Metal fixing nut for added durability
- Flexible tails included
- Pop-up waste included
- Supplied with 3.5 litre per minute flow limiting aerator to reduce water consumption and increase water efficiency

Product Certifications:



WRAS Cert. Number: 2205902
WRAS Expiry Date: 31/05/2027



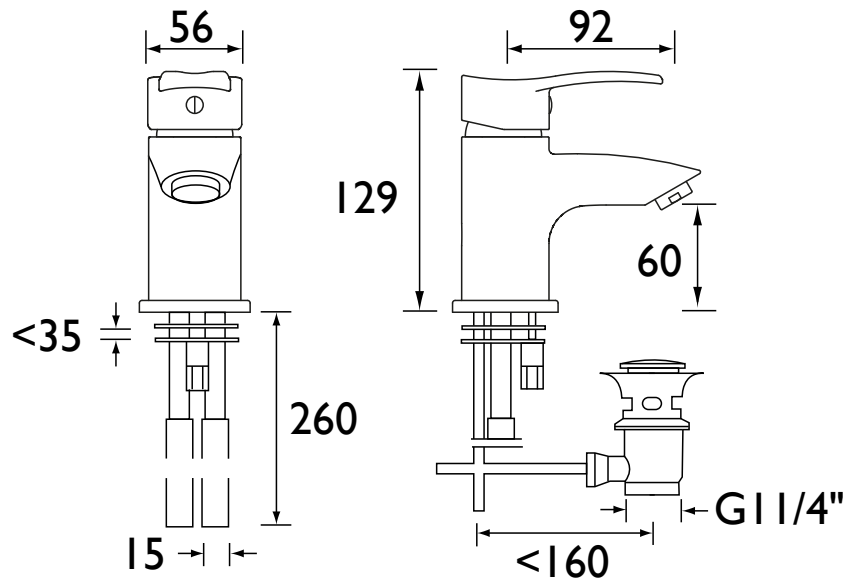
For more products, visit our website:
<http://www.bristan.com>



Specification

Product Type:	Bathroom Taps
Main Construction Material:	Brass
Mount Type:	Deck
Handle Type:	Lever
Connection Inlet:	1/2" BSP Flexible Tails
Connection Outlet:	M20 3.5lpm Flow Limited Aerator
Number of Tap Holes:	1
Valve/Cartridge Type:	35mm Single Lever Cartridge
Plumbing System Requirements:	Suitable for all plumbing systems
Minimum Dynamic Pressure (bar):	0.5 bar
Maximum Dynamic Pressure (bar):	5.0 bar
Maximum Hot Water Temperature °C:	65°C
Maximum Static Pressure (bar):	10 bar
Flow Type:	Single
Isolation Included:	No

Dimensions (measurements in mm)



Flow Rates (l/min)

System Pressure (bar)	0.5	1	2	3	4	5
CAP EBAS C (mixed)	1.9	2.8	3.4	3.5	3.5	3.5

TECHNICAL DATA SHEET



BRISTAN

D10