

CRZ2 SHXDIVCTFF C COOLTOUCH Shower Range

Craze2 Adjustable Rigid Riser
Diverter Bar Shower



Features:

- All in one box - pack includes bar shower valve, hose, telescopic riser rail and rub-clean anti-limescale drenchd and multi function handset so nothing to buy separately
- Supplied with a fast fit Wallmount 12 fixing kit with built-in front of wall isolation valves on both the hot and cold feed, making it simple to fit, maintain and replace.
- Safe Touch technology ensures the valve stays cool to the touch while in use
- Telescopic riser so you can adjust the height to suit your space. Giving you the flexibility to fit in a wet room/walk in shower or over a bath.
- Integral two outlet diverter so you can easily switch between the handset or drench head.

Product Certifications:



WRAS Cert No: 2306909
WRAS Expiry Date: 30/06/2028

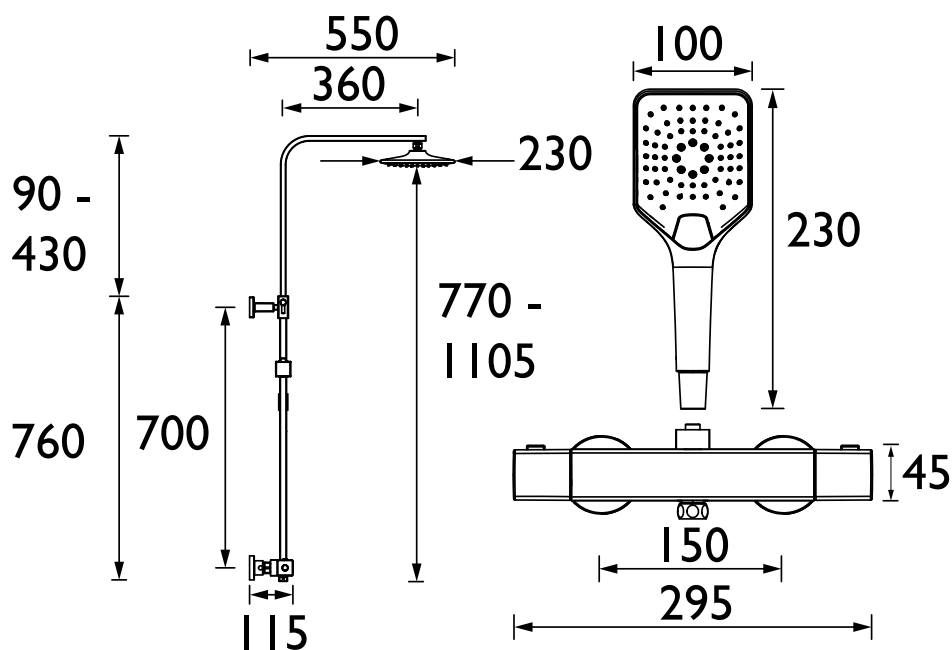


For more products, visit our website:
<http://www.bristan.com>

Specification

Finish/Colour:	Chrome Plated
Main Construction Material:	ABS; Zinc Alloy; Stainless Steel
No of Controls:	2
Shower Type:	Bar Shower
Shower Head Type:	Fixed Head & Multi-Function Handset
Shower Kit:	Telescopic Riser with Fixed Head
Valve/Cartridge Type:	Thermostatic Cartridge
Maximum Hot Water Supply Temperature °C:	65
Plumbing System Suitability:	Suitable for high pressure systems
Minimum Dynamic Pressure (bar):	1
Maximum Dynamic Pressure (bar):	5
Maximum Static Pressure (bar):	10
Connection Inlet:	15mm Compression
Connection Outlet:	G1/2" and Riser Outlet
Isolation Valve Included:	Yes
Check Valve Included:	Yes

Dimensions (measurements in mm)



Flow Rates (l/min)

System Pressure (bar)	1	2	3	4	5
Through Handset (mixed)	5.5	7.8	9.6	10.8	11.8
Through Fixed Head (mixed)	5.8	8.7	10.2	11.5	12.5

TECHNICAL
DATA
SHEET



BRISTAN

D13