

# GLD2 BSM C

## GILD Tap Range Gild Bath Shower Mixer Chrome



### Features:

- Long life 1/4 turn ceramic disc valves for added durability and smooth control.
- Robust metal fixing nut to secure the tap in place reducing the risk of loosening over time.
- Rub clean handset - limescale and debris build-up is quickly and easily removed by rubbing a finger or a cloth over the nozzles.
- A hard-wearing, flawless, scratch resistant chrome finish that lasts for years. Salt spray tested to ensure added durability.
- 10-year parts and 1 year labour guarantee for peace of mind.
- Co-ordinating Bathroom taps available.

### Product Certifications:



Certification No. 2310713  
Expiry Date: 05/10/2028



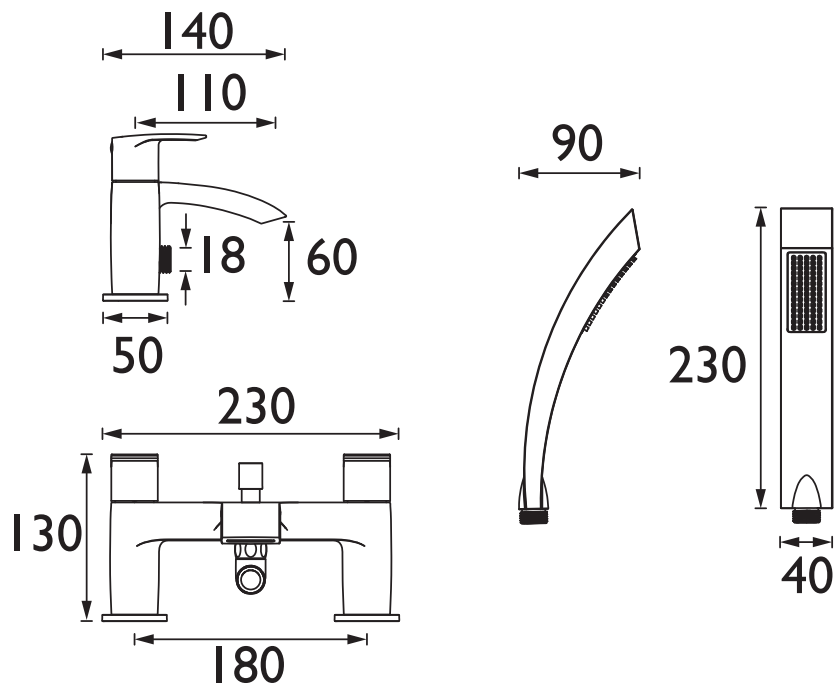
WRAS Cert. Number: 2310363  
WRAS Expiry Date: 31/10/2028



### Specification

Product Type:	Bathroom Taps
Main Construction Material:	Brass
Mount Type:	Deck
Handle Type:	Lever
Connection Inlet:	3/4" BSP
Connection Outlet:	Open Outlet
Number of Tap Holes:	2
Valve/Cartridge Type:	3/4" Ceramic Disc Valve
Plumbing System Requirements:	Suitable for all plumbing systems
Minimum Dynamic Pressure (bar):	0.2 bar
Maximum Dynamic Pressure (bar):	5 bar
Maximum Hot Water Temperature °C:	60°C
Maximum Static Pressure (bar):	10 bar
Flow Type:	Single
Isolation Included:	No

### Dimensions (measurements in mm)



### Flow Rates (l/min)

System Pressure (bar)	0.2	0.5	1	2	3	5
Through Bath Filler (mixed)	15.5	26.2	37.6	53.2	65.1	84.1
Through Handset (mixed)	3.6	6	8.9	12.6	15.4	19.9

## TECHNICAL DATA SHEET



# BRISTAN

D4