

# QD EBAS C

## QUADRATO Tap Range Quadrato Eco Basin Mixer with Pop-up Waste Chrome



### Features:

- Long life ceramic cartridge for added durability and ease of use
- Metal fixing nut for added durability
- Flexible tails included
- Supplied with 5 litre per minute flow limiting aerator to reduce water consumption and increase water efficiency
- Pop-up waste included
- Minimum working pressure of 0.5 bar

### Product Certifications:



WRAS Cert. Number: 1612069  
WRAS Expiry Date: 31/12/2021



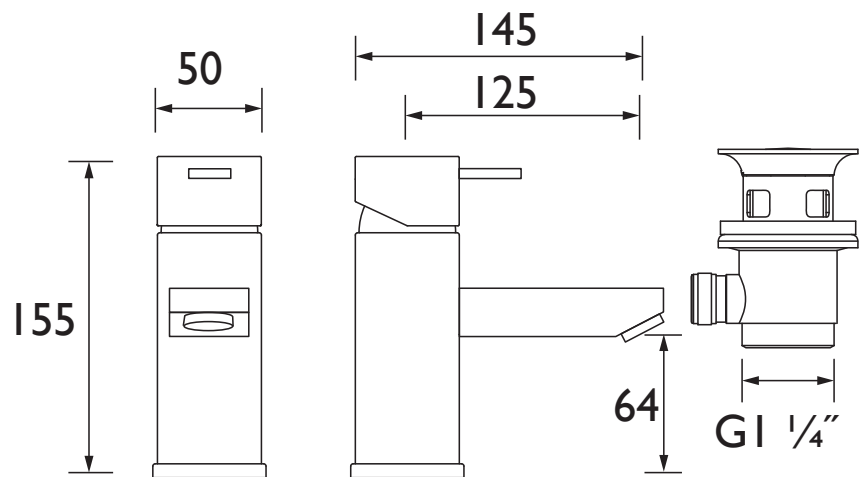
For more products, visit our website:  
<http://www.bristan.com>



### Specification

Product Type:	Bathroom Taps
Main Construction Material:	Brass
Mount Type:	Deck Mounted
Handle Type:	Lever Handle
Connection Inlet:	1/2" Female Flexible Tails
Connection Outlet:	M24 5lpm Flow Limited Aerator
Number of Tap Holes:	1
Valve/Cartridge Type:	35mm Ceramic Cartridge
Plumbing System Requirements:	Suitable for all plumbing systems
Minimum Dynamic Pressure (bar):	0.5 bar
Maximum Dynamic Pressure (bar):	5.0 bar
Maximum Hot Water Temperature °C:	65°C
Maximum Static Pressure (bar):	10 bar
Flow Type:	Single Flow
Isolation Included:	No

### Dimensions (measurements in mm)



### Flow Rates (l/min)

System Pressure (bar)	0.5	1	2	3	5
QD EBAS C (mixed)	5	5	5	5	5

TECHNICAL  
DATA  
SHEET



**BRISTAN**

D15