



Features:

- Curved design with tamper proof fixings and anti-rotation system
- Interchangeable spray rings and adjustable spray angle 25°-35°
- Top or bottom inlet
- 15mm inlet connection

Product Certifications:



WRAS Cert. Number: 2006909
WRAS Expiry Date: 30/06/2025

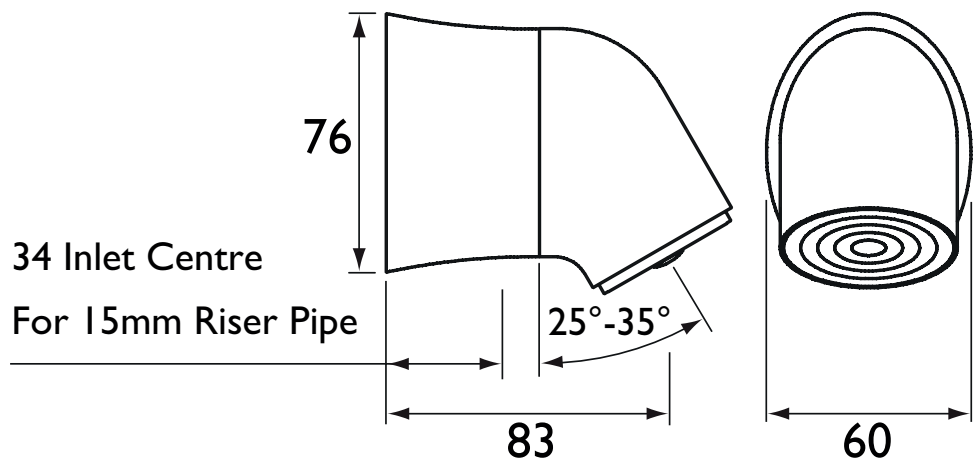
For more products, visit our website:
<http://www.bristan.com>



Specification

Main Construction Material:	Brass
Connection Inlet:	15mm
Product Type:	Commercial
Working Pressure Range:	Dependent upon shower valve/mixing valve specified
Finish:	Chrome

Dimensions (measurements in mm)



TECHNICAL DATA SHEET



BRISTAN

D5