

PM SHXMMCTFF C

PRISM Shower Range Prism Safe Touch Bar Shower with Adjustable Kit and Fast Fit Fixings



Features:

- All in one box - pack includes bar shower valve, hose, adjustable riser rail and a rub-clean anti-limescale multi function handset so nothing to buy separately
- Supplied with a fast fit Wallmount 12 fixing kit with built-in front of wall isolation valves on both the hot and cold feed, making it simple to fit, maintain and replace.
- Safe Touch technology ensures the valve stays cool to the touch while in use
- Multi function rub clean handset - limescale and debris build-up is quickly and easily removed by rubbing a finger or a cloth over the nozzles.
- Adjustable fixing brackets on riser rail enables existing screw holes to be used

Product Certifications:



WRAS Certificate No: 2005902
WRAS Expiry Date: 31/05/2025



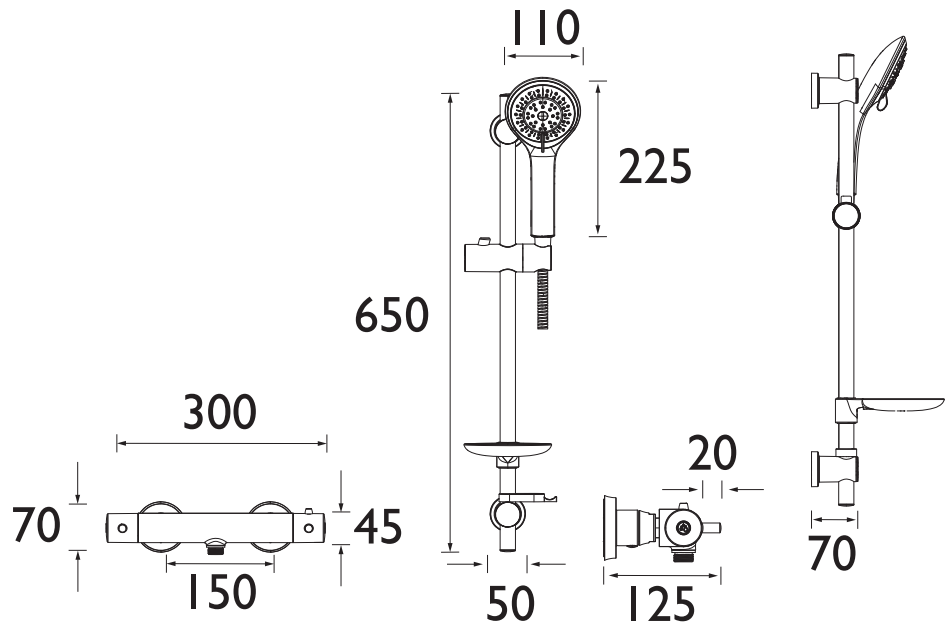
TMV2 Cert No: NSF 2262/0720
TMV2 Expiry Date: 16/07/2025



Specification

Finish/Colour:	Chrome Plated
Main Construction Material:	Brass, Zinc & Stainless Steel
No of Controls:	2
Shower Type:	Bar Shower
Shower Head Type:	Multi Function Handset
Shower Kit:	Adjustable Riser
Valve/Cartridge Type:	Thermostatic Cartridge
Maximum Hot Water Supply Temperature °C:	65
Plumbing System Suitability:	All plumbing systems, ideally balanced
Minimum Dynamic Pressure (bar):	0.2
Maximum Dynamic Pressure (bar):	5
Maximum Static Pressure (bar):	10
Connection Inlet:	15mm Compression
Connection Outlet:	G1/2"
Isolation Valve Included:	Yes
Check Valve Included:	Yes

Dimensions (measurements in mm)



Flow Rates (l/min)

System Pressure (bar)	0.2	0.5	1	2	3	5
Valve Only/Largest FR (mixed)	4.2	7.3	10.9	15.7	19.2	24.5
Through Handset (mixed)	2.5	4.4	6.5	9.5	12	16

TECHNICAL DATA SHEET



BRISTAN

D10