

ELE BSM BLK

ELEVAR Tap Range Elevar Bath Shower Mixer Black



Features:

- Rub clean handset - limescale and debris build-up is quickly and easily removed by rubbing a finger or a cloth over the nozzles.
- Long life 1/4 turn ceramic disc valves for added durability and smooth control.
- Robust metal fixing nut to secure the tap in place reducing the risk of loosening over time.
- On-trend matt black finish to make a statement in your bathroom.
- 10 year parts and 1 year labour guarantee for peace of mind.

Product Certifications:



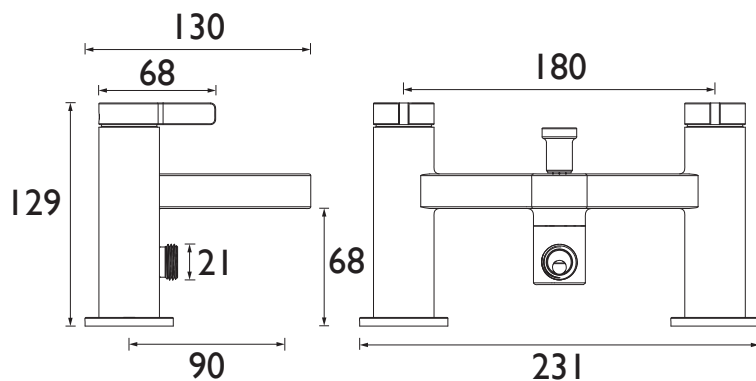
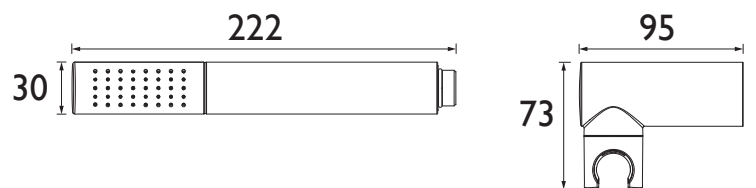
For more products, visit our website:
<http://www.bristan.com>



Specification

Product Type:	Bathroom Tap
Main Construction Material:	Brass
Mount Type:	Deck
Handle Type:	Paddle Lever
Connection Inlet:	3/4" BSP
Connection Outlet:	G1/2"
Number of Tap Holes:	2
Hose Length (mm):	1500
Valve/Cartridge Type:	3/4" Ceramic Disc Valve - 1/4 turn
Plumbing System Requirements:	Suitable for all plumbing systems
Minimum Dynamic Pressure (bar):	0.2 bar
Maximum Dynamic Pressure (bar):	5 bar
Maximum Hot Water Temperature °C:	60°C
Maximum Static Pressure (bar):	10 bar
Flow Type:	Single
Isolation Included:	No

Dimensions (measurements in mm)



Flow Rates (l/min)

System Pressure (bar)	0.2	0.5	1	2	3	5
Through Bath Filler (mixed)	14.2	22.7	32.4	45.7	55.8	72.4
Through Handset (mixed)	3.8	6.1	8.9	13.2	16.9	23.2

TECHNICAL DATA SHEET



BRISTAN

D1