



## Specification

<b>Product Type:</b>	Taps
<b>Main Construction Material:</b>	Brass
<b>Mount Type:</b>	Deck Mounted
<b>Handle Type:</b>	Cross Head
<b>Connection Inlet:</b>	½" BSP
<b>Connection Outlet:</b>	Open
<b>Number of Tap Holes:</b>	2
<b>Valve/Cartridge Type:</b>	Manual
<b>Plumbing System Requirements:</b>	All - Preferably Balanced
<b>Working Pressure Range:</b>	Min 0.2 bar - Max 5.0 bar
<b>Maximum Hot Water Temperature: °C</b>	65
<b>Maximum Static Pressure: (bar)</b>	10
<b>Flow Type:</b>	Single Flow
<b>Isolation Included:</b>	No

## Features:

- Metal handles
- Chrome plated to BS EN 248

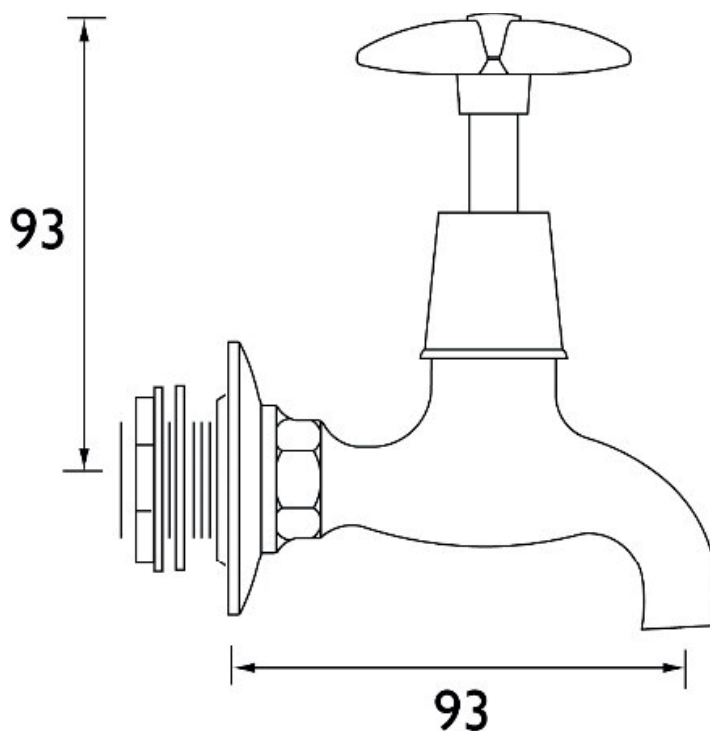
## Product Certifications:



WRAS Expiry Date: 28/02/2029  
WRAS Certificate Number: 240203002



## Dimensions (measurements in mm)



## Flow Rates (l/min)

System Pressure (bar)	0.2	0.5	1	2	3	5
VAX BIB C	11.3	16.6	22.3	33.3	40.7	52.6

For more products, visit our website:  
<http://www.bristan.com>



# TECHNICAL DATA SHEET



# BRISTAN

TAPS & SHOWERS

D8