

# VT2 BASNW C

## VANTAGE Tap Range Vantage 2 Basin Mixer without Waste Chrome



### Features:

- Long life ceramic cartridge for added durability and smooth control.
- A hard-wearing, flawless, scratch resistant chrome finish that lasts for years. Salt spray tested to ensure added durability.
- 10 year parts and 1 year labour guarantee for peace of mind.
- Co-ordinating Bathroom taps, Recess shower and Accessories available.

### Product Certifications:



WRAS Certificate No: 2003906  
WRAS Expiry Date: 31/03/2025



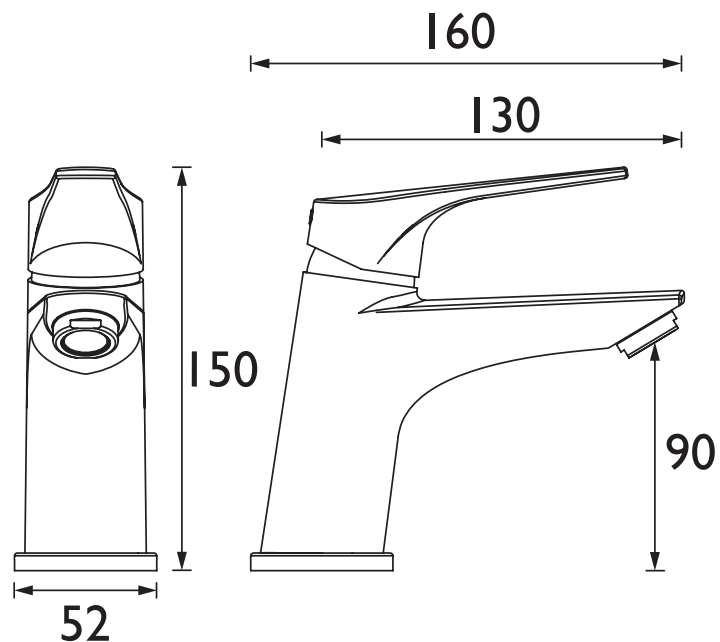
For more products, visit our website:  
<http://www.bristan.com>



### Specification

|                                   |                                     |
|-----------------------------------|-------------------------------------|
| Product Type:                     | Bathroom Taps                       |
| Main Construction Material:       | Brass                               |
| Mount Type:                       | Deck                                |
| Handle Type:                      | Lever                               |
| Connection Inlet:                 | M10 x 350mm 1/2" BSP Flexible Tails |
| Connection Outlet:                | M24 Aerator                         |
| Number of Tap Holes:              | 1                                   |
| Valve/Cartridge Type:             | 35mm Stepped Cartridge              |
| Plumbing System Requirements:     | Suitable for all plumbing systems   |
| Minimum Dynamic Pressure (bar):   | 0.4 bar                             |
| Maximum Dynamic Pressure (bar):   | 5.0 bar                             |
| Maximum Hot Water Temperature °C: | 65°C                                |
| Maximum Static Pressure (bar):    | 10 bar                              |
| Flow Type:                        | Single                              |
| Isolation Included:               | No                                  |

### Dimensions (measurements in mm)



### Flow Rates (l/min)

| System Pressure (bar) | 0.4 | 0.5 | 1   | 2    | 3    | 5    |
|-----------------------|-----|-----|-----|------|------|------|
| VT2 BASNW C (mixed)   | 5.3 | 5.9 | 8.4 | 11.8 | 14.5 | 18.7 |

## TECHNICAL DATA SHEET



# BRISTAN

D7