

NAX BAS C

NAXOS Tap Range Naxos Basin Mixer with Clicker Waste Chrome

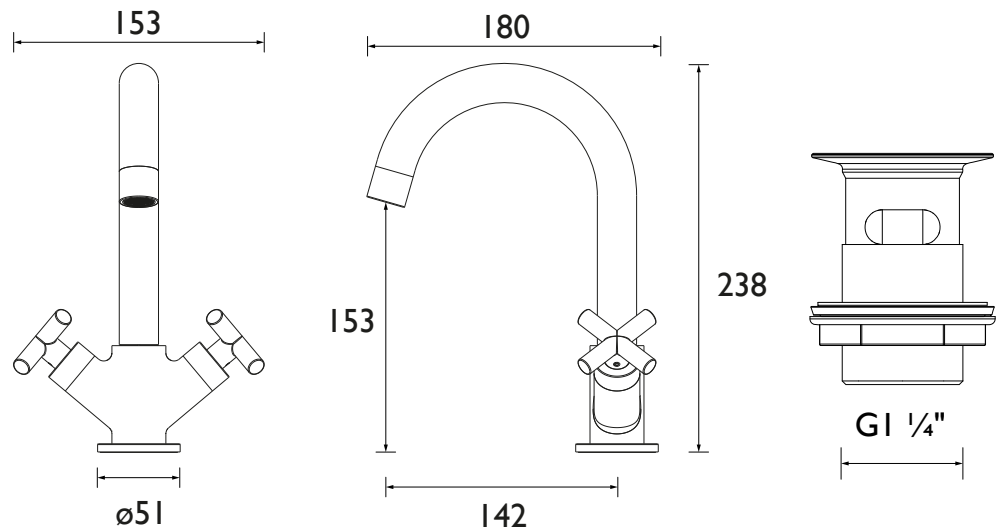


Features:

- Supplied with everything you need for a hassle-free installation, including flexible tails and clicker waste
- Its sleek, fixed-spout construction ensures maximum stability, making it a dependable centrepiece for any bathroom
- Experience smooth, reliable operation thanks to the longlife ceramic cartridge
- Enjoy lasting brilliance with our flawless, scratch-resistant chrome finish that's salt spray tested for durability
- Built to last, backed by a lifetime parts and 1-year labour guarantee
- Pair with coordinating bathroom taps, recess showers, and accessories to complete

Specification	
Product Type:	Bathroom Taps
Main Construction Material:	Brass; ABS; Stainless Steel
Mount Type:	Deck
Handle Type:	Crosshead
Connection Inlet:	1/2" BSP Flexible Tails
Connection Outlet:	M24 5lpm Flow Limited Aerator
Number of Tap Holes:	1
Valve/Cartridge Type:	1/2" Ceramic Disc Valve - 1/4 turn
Plumbing System Requirements:	Suitable for all plumbing systems
Minimum Dynamic Pressure (bar):	0.5 bar
Maximum Dynamic Pressure (bar):	5 bar
Maximum Hot Water Temperature °C:	60°C
Maximum Static Pressure (bar):	10 bar
Flow Type:	Single

Dimensions (measurements in mm)



Flow Rates (l/min)					
System Pressure (bar)	0.5	1	2	3	5
NAX BAS C (mixed)	3.5	5.1	5.5	5.2	5.3



WRAS Certificate No: 240603002
WRAS Expiry Date: 30/06/2029



For more products, visit our website: <http://www.bristan.com>



TECHNICAL DATA SHEET



BRISTAN

D4