

AL 3TH BAS BB

ALTUM Tap Range Altum 3 Tap Hole Basin Mixer Brushed Brass



Features:

- Save water without compromising performance thanks to the built-in 5L flow regulator.
- Install with confidence using a robust metal fixing nut that keeps your tap securely in place
- Experience smooth, reliable operation thanks to the long-life ceramic disc valves
- Bring warmth to your space with the timeless brushed brass finish
- Built to last, backed by a lifetime parts and 1-year labour guarantee

Product Certifications:



WRAS Certificate No: 250703306
WRAS Expiry Date: 31/07/2030



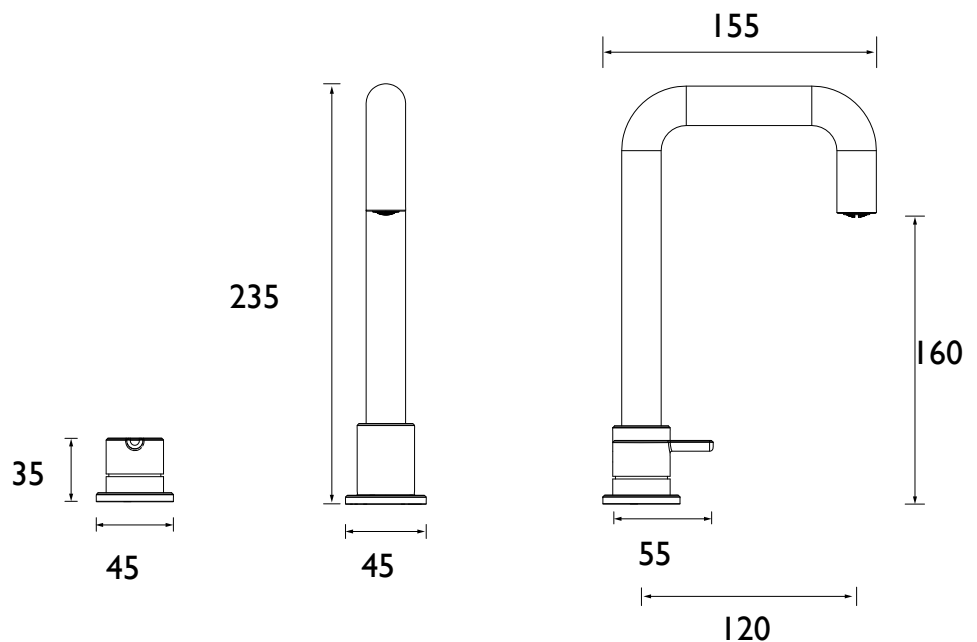
For more products, visit our website:
<http://www.bristan.com>



Specification

Product Type:	Bathroom Taps
Main Construction Material:	Brass; ABS; Stainless Steel
Mount Type:	Deck
Handle Type:	Paddle
Connection Inlet:	15mm Compression
Connection Outlet:	M18 5lpm Flow Limited Aerator
Number of Tap Holes:	3
Valve/Cartridge Type:	1/2" Ceramic Disc Valve - 1/4 turn
Plumbing System Requirements:	Suitable for all plumbing systems
Minimum Dynamic Pressure (bar):	0.5 bar
Maximum Dynamic Pressure (bar):	5 bar
Maximum Hot Water Temperature °C:	65°C
Maximum Static Pressure (bar):	10 bar
Flow Type:	Single
Isolation Included:	No

Dimensions (measurements in mm)



Flow Rates (l/min)

System Pressure (bar)	0.5	1	2	3	5
AL 3TH BAS BB (mixed)	3	4	4.6	4.6	4.7

TECHNICAL
DATA
SHEET



BRISTAN

D4