

AL 2TH WMBAS C

ALTUM Tap Range Altum 2 Tap Hole Wall Mounted Basin Mixer Chrome



Features:

- Save water without compromising performance thanks to the built-in 5L flow regulator.
- Experience smooth, reliable operation thanks to the long-life ceramic disc valves
- Enjoy lasting brilliance with our flawless, scratch-resistant chrome finish that's salt spray tested for durability
- Built to last, backed by a lifetime parts and 1-year labour guarantee
- Find your perfect match with other finish options available

Product Certifications:



WRAS Certificate No: 250803305
WRAS Expiry Date: 31/08/2030



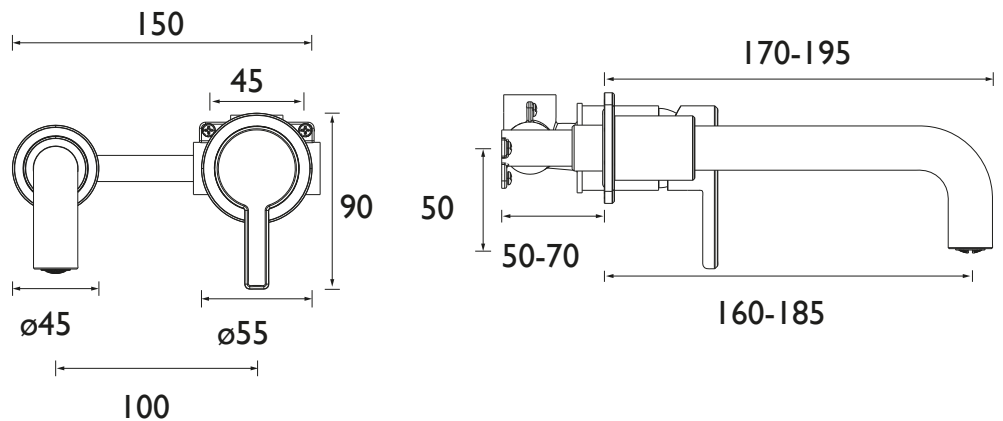
For more products, visit our website:
<http://www.bristan.com>



Specification

Product Type:	Bathroom Taps
Main Construction Material:	Brass; ABS; Stainless Steel
Mount Type:	Wall
Handle Type:	Lever
Connection Inlet:	15mm Compression
Connection Outlet:	M18 5lpm Flow Limited Aerator
Number of Tap Holes:	2
Valve/Cartridge Type:	35mm Single Lever Cartridge
Plumbing System Requirements:	Suitable for all plumbing systems
Minimum Dynamic Pressure (bar):	0.5 bar
Maximum Dynamic Pressure (bar):	5 bar
Maximum Hot Water Temperature °C:	65°C
Maximum Static Pressure (bar):	10 bar
Flow Type:	Single
Isolation Included:	No

Dimensions (measurements in mm)



Flow Rates (l/min)

System Pressure (bar)	0.5	0.5	1	2	3	5
AL 2TH WMBAS C (mixed)	3.1	3.1	4.1	4.6	4.6	4.7

TECHNICAL
DATA
SHEET



BRISTAN

D3