

AL 1/2 BLK

ALTUM Tap Range Altum Basin Taps Black



Features:

- Save water without compromising performance thanks to the built-in 5L flow regulator.
- Install with confidence using a robust metal fixing nut that keeps your tap securely in place
- Experience smooth, reliable operation thanks to the long-life ceramic disc valves
- Create a contemporary, minimalist look with the bold matt black finish
- Built to last, backed by a lifetime parts and 1-year labour guarantee

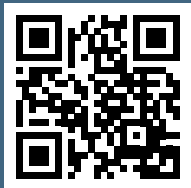
Product Certifications:



WRAS Certificate No: 2301914
WRAS Expiry Date: 31/01/2028



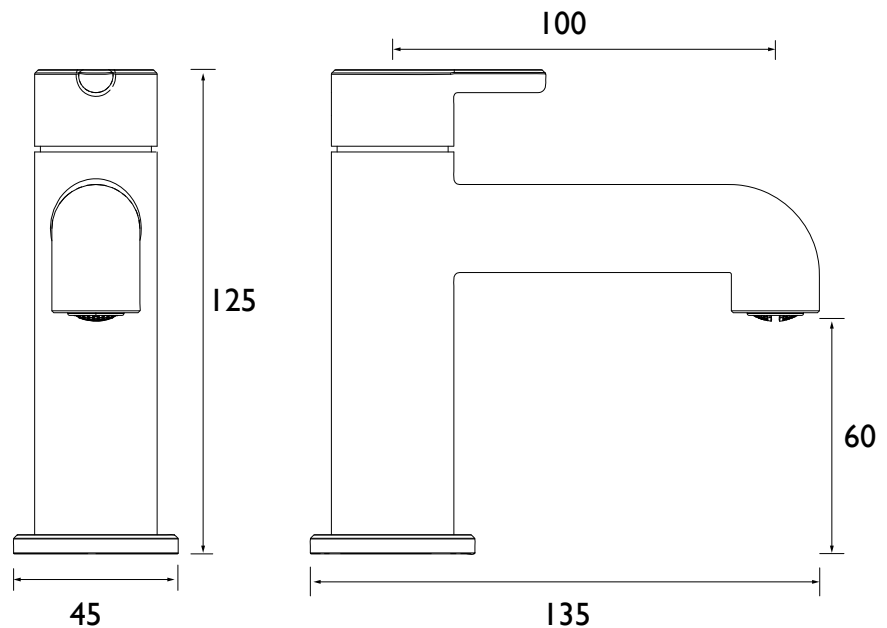
For more products, visit our website:
<http://www.bristan.com>



Specification

Product Type:	Bathroom Taps
Main Construction Material:	Brass
Mount Type:	Deck
Handle Type:	Paddle
Connection Inlet:	1/2" BSP
Connection Outlet:	M18 5lpm Aerator
Number of Tap Holes:	2
Valve/Cartridge Type:	1/2" Ceramic Disc Valve - 1/4 turn
Plumbing System Requirements:	Suitable for all plumbing systems
Minimum Dynamic Pressure (bar):	0.5 bar
Maximum Dynamic Pressure (bar):	5 bar
Maximum Hot Water Temperature °C:	60°C
Maximum Static Pressure (bar):	10 bar
Isolation Included:	No

Dimensions (measurements in mm)



Flow Rates (l/min)

System Pressure (bar)	0.5	0.5	1	2	3	5
AL 1/2 BLK (Cold)	3	3	4	4.4	4.4	4.5
AL 1/2 BLK (Hot)	3.2	3.2	4.2	4.5	4.5	4.6

TECHNICAL DATA SHEET



BRISTAN

D3