

AL BF BB

ALTUM Tap Range

Altum Bath Filler
Brushed Brass



Specification

Product Type:	Bathroom Taps
Main Construction Material:	Brass; ABS; Stainless Steel
Mount Type:	Deck
Handle Type:	Paddle
Connection Inlet:	3/4" BSP
Connection Outlet:	M16.5 Aerator
Number of Tap Holes:	2
Valve/Cartridge Type:	3/4" Ceramic Disc Valve - 1/4 turn
Plumbing System Requirements:	Suitable for all plumbing systems
Minimum Dynamic Pressure (bar):	0.2 bar
Maximum Dynamic Pressure (bar):	5 bar
Maximum Hot Water Temperature °C:	65°C
Maximum Static Pressure (bar):	10 bar
Flow Type:	Single
Isolation Included:	No

Features:

- Install with confidence using a robust metal fixing nut that keeps your tap securely in place
- Experience smooth, reliable operation thanks to the long-life ceramic disc valves
- Bring warmth to your space with the timeless brushed brass finish
- Built to last, backed by a lifetime parts and 1-year labour guarantee
- Find your perfect match with other finish options available

Product Certifications:

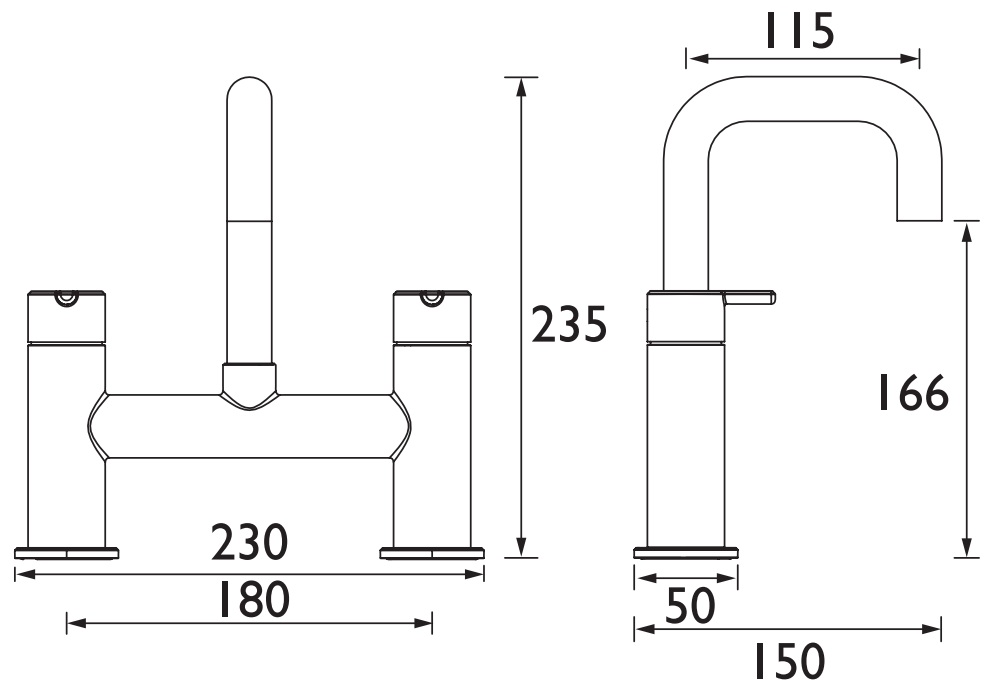


WRAS Certificate No: 2305928
WRAS Expiry Date: 31/05/2028

For more products, visit our website:
<http://www.bristan.com>



Dimensions (measurements in mm)



Flow Rates (l/min)

System Pressure (bar)	0.2	0.5	1	2	3	5
AL BF BB (mixed)	14.1	24.1	34.7	49.6	60.9	78.6

TECHNICAL DATA SHEET



BRISTAN

D3