

# APL BF BB

## APPEAL Tap Range Appeal Bath Filler Brushed Brass



### Features:

- Install with confidence using a robust metal fixing nut that keeps your tap securely in place
- Experience smooth, reliable operation thanks to the long-life ceramic disc valves
- Bring warmth to your space with the timeless brushed brass finish
- Built to last, backed by a lifetime parts and 1-year labour guarantee
- Find your perfect match with other finish options available

### Product Certifications:



WRAS Certificate No: 2309905  
WRAS Expiry Date: 30/09/2028

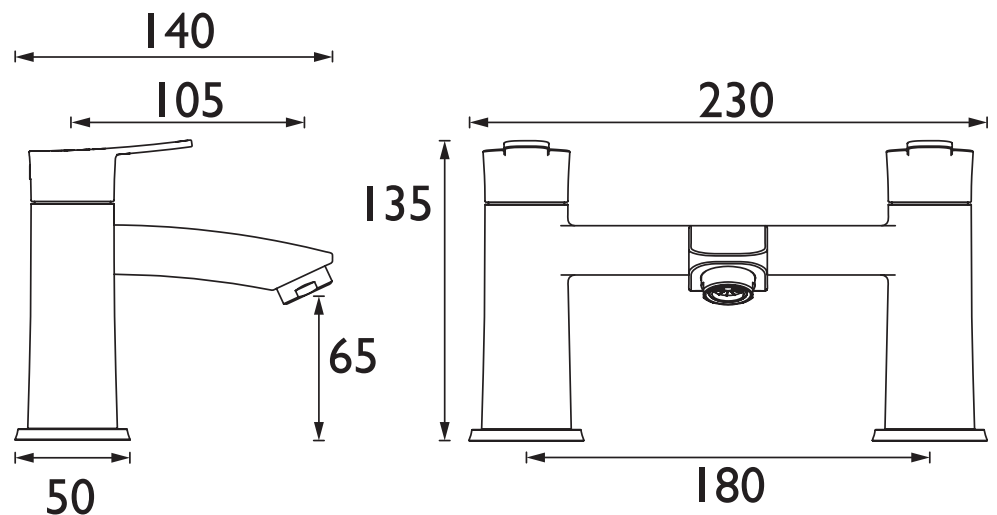
For more products, visit our website:  
<http://www.bristan.com>



### Specification

<b>Product Type:</b>	Bathroom Taps
<b>Main Construction Material:</b>	Brass; ABS; Stainless Steel
<b>Mount Type:</b>	Deck
<b>Handle Type:</b>	Paddle
<b>Connection Inlet:</b>	3/4" BSP
<b>Connection Outlet:</b>	M24 Housed Aerator
<b>Number of Tap Holes:</b>	2
<b>Valve/Cartridge Type:</b>	3/4" Ceramic Disc Valve - 1/4 turn
<b>Plumbing System Requirements:</b>	Suitable for all plumbing systems
<b>Minimum Dynamic Pressure (bar):</b>	0.2 bar
<b>Maximum Dynamic Pressure (bar):</b>	5 bar
<b>Maximum Hot Water Temperature °C:</b>	65°C
<b>Maximum Static Pressure (bar):</b>	10 bar
<b>Flow Type:</b>	Single
<b>Isolation Included:</b>	No

### Dimensions (measurements in mm)



### Flow Rates (l/min)

System Pressure (bar)	0.2	0.5	1	2	3	5
APL BF BB (mixed)	24.2	40.4	57.2	80.9	99	127.9

## TECHNICAL DATA SHEET



# BRISTAN

D3