

APL ES BAS BB

APPEAL Tap Range Appeal Eco Start Basin Mixer with Clicker Waste Brushed Brass



Features:

- Reduce energy usage with our Eco Start technology - the tap runs cold when the lever is in the central position and only activates hot water when needed, helping cut unnecessary boiler use
- Save water without compromising performance thanks to the built-in 5L flow regulator.
- Supplied with everything you need for a hassle-free installation, including flexible tails and clicker waste
- Install with confidence using a robust metal fixing nut that keeps your tap securely in place
- Experience smooth, reliable operation thanks to the long-life ceramic cartridge

Product Certifications:



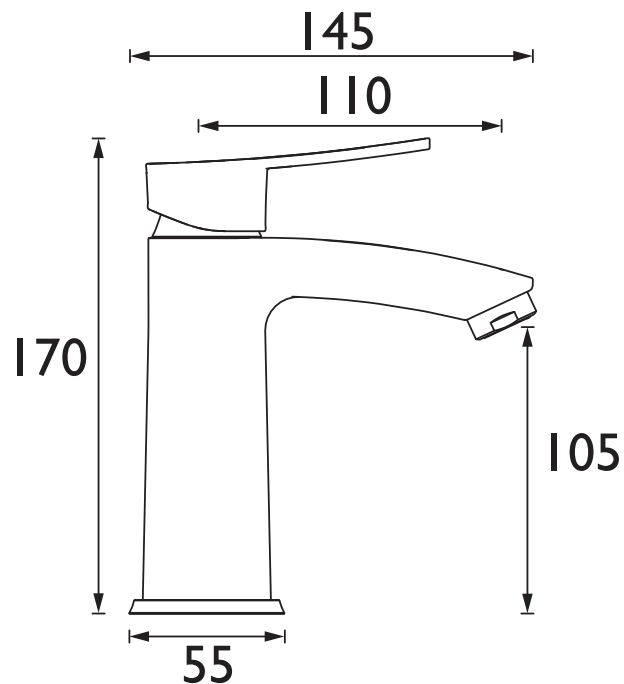
WRAS Certificate No: 2309904
WRAS Expiry Date: 30/09/2028



Specification

| | |
|-----------------------------------|--------------------------------------|
| Product Type: | Bathroom Taps |
| Main Construction Material: | Brass; ABS; Stainless Steel |
| Mount Type: | Deck |
| Handle Type: | Lever |
| Connection Inlet: | 1/2" BSP Flexible Tails |
| Connection Outlet: | M24 Housed 5lpm Flow Limited Aerator |
| Number of Tap Holes: | 1 |
| Valve/Cartridge Type: | 35mm Eco-Start Cartridge |
| Plumbing System Requirements: | Suitable for all plumbing systems |
| Minimum Dynamic Pressure (bar): | 0.5 bar |
| Maximum Dynamic Pressure (bar): | 5 bar |
| Maximum Hot Water Temperature °C: | 65°C |
| Maximum Static Pressure (bar): | 10 bar |
| Flow Type: | Single |
| Isolation Included: | No |

Dimensions (measurements in mm)



Flow Rates (l/min)

| System Pressure (bar) | 0.5 | 1 | 2 | 3 | 5 |
|-----------------------|-----|-----|---|-----|-----|
| APL ES BAS BB (mixed) | 2.8 | 4.1 | 5 | 4.7 | 4.7 |

TECHNICAL DATA SHEET



BRISTAN

D3