

# APL ES BAS C

## APPEAL Tap Range Appeal Eco Start Basin Mixer with Clicker Waste



### Features:

- Reduce energy usage with our Eco Start technology - the tap runs cold when the lever is in the central position and only activates hot water when needed, helping cut unnecessary boiler use
- Save water without compromising performance thanks to the built-in 5L flow regulator.
- Supplied with everything you need for a hassle-free installation, including flexible tails and clicker waste
- Install with confidence using a robust metal fixing nut that keeps your tap securely in place
- Experience smooth, reliable operation thanks to the long-life ceramic cartridge

### Product Certifications:



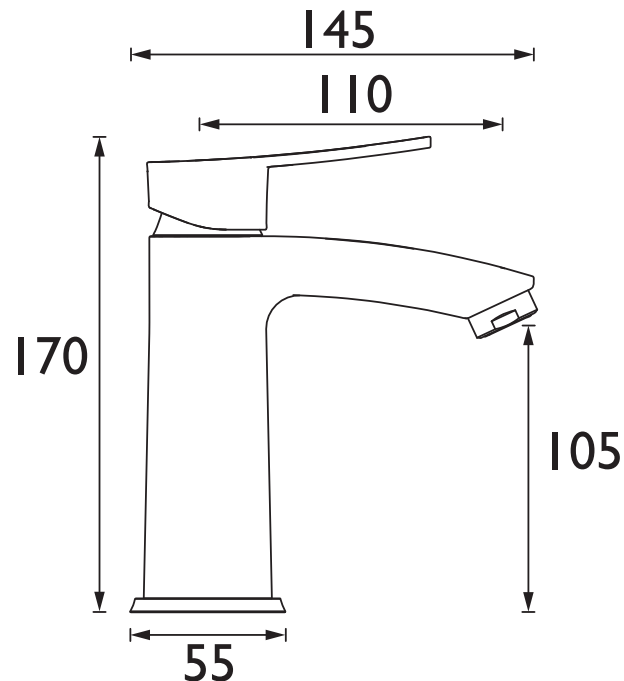
WRAS Certificate No: 2309904  
WRAS Expiry Date: 30/09/2028



### Specification

|  |                                      |
|--|--------------------------------------|
| <b>Product Type:</b>                     | Bathroom Taps                        |
| <b>Main Construction Material:</b>       | Brass; ABS; Stainless Steel          |
| <b>Mount Type:</b>                       | Deck                                 |
| <b>Handle Type:</b>                      | Lever                                |
| <b>Connection Inlet:</b>                 | 1/2" BSP Flexible Tails              |
| <b>Connection Outlet:</b>                | M24 Housed 5lpm Flow Limited Aerator |
| <b>Number of Tap Holes:</b>              | 1                                    |
| <b>Valve/Cartridge Type:</b>             | 35mm Eco-Start Cartridge             |
| <b>Plumbing System Requirements:</b>     | Suitable for all plumbing systems    |
| <b>Minimum Dynamic Pressure (bar):</b>   | 0.5 bar                              |
| <b>Maximum Dynamic Pressure (bar):</b>   | 5 bar                                |
| <b>Maximum Hot Water Temperature °C:</b> | 65°C                                 |
| <b>Maximum Static Pressure (bar):</b>    | 10 bar                               |
| <b>Flow Type:</b>                        | Single                               |
| <b>Isolation Included:</b>               | No                                   |

### Dimensions (measurements in mm)



### Flow Rates (l/min)

| System Pressure (bar) | 0.5 | 1   | 2 | 3   | 5   |
|-----------------------|-----|-----|---|-----|-----|
| APL ES BAS C (mixed)  | 2.8 | 4.1 | 5 | 4.7 | 4.7 |

## TECHNICAL DATA SHEET



# BRISTAN

D3