

AR2 THBSM C

ARTISAN Tap Range Artisan Thermostatic Bath Shower Mixer Chrome



Features:

- Prioritises family safety with thermostatic control that maintains your pre-set maximum temperature of 38°C
- Override temperature limits when needed with the convenient safety override feature
- Control your experience with dual controls for separate flow and temperature adjustment
- Easily fit, maintain or replace with the WMNT 10 Fast Fixing Kit
- Built to last, backed by a lifetime parts and 1-year labour guarantee

Product Certifications:



WRAS Certificate No: 251103301
WRAS Expiry Date: 30/11/2030

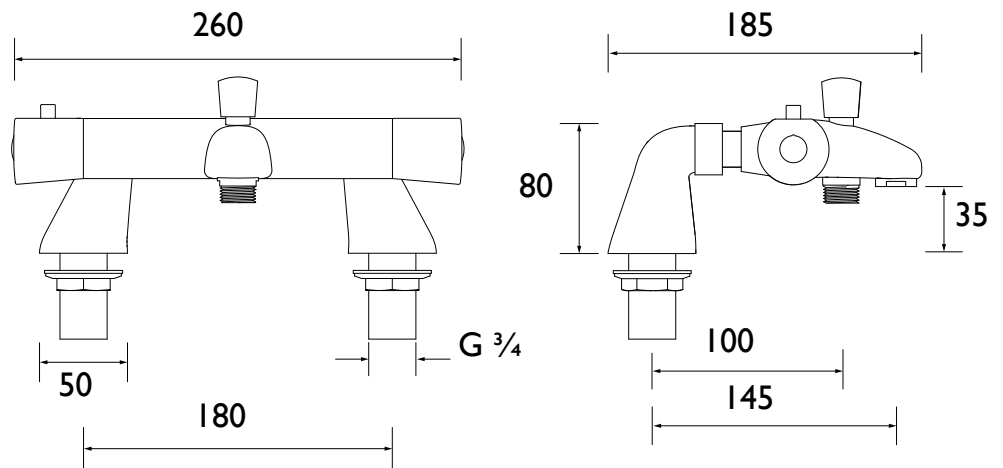
For more products, visit our website:
<http://www.bristan.com>



Specification

Product Type:	Bath Shower Mixer
Main Construction Material:	Brass
Mount Type:	Deck
Handle Type:	Round
Connection Inlet:	3/4" BSP
Connection Outlet:	M24 Flow Straightener
Number of Tap Holes:	2
Valve/Cartridge Type:	1/2" Compression Valve & Thermostatic Cartridge
Plumbing System Requirements:	Suitable for Nominally Balanced Supply Pressures Only
Minimum Dynamic Pressure (bar):	0.5 bar
Maximum Dynamic Pressure (bar):	5 bar
Maximum Hot Water Temperature °C:	60°C
Maximum Static Pressure (bar):	10 bar
Flow Type:	Dual
Isolation Included:	No

Dimensions (measurements in mm)



Flow Rates (l/min)

System Pressure (bar)	0.5	1	2	3	5
Through Bath Filler (mixed)	7.5	11.4	16.9	21.1	27.7

TECHNICAL DATA SHEET



BRISTAN

D12