

AR2 THLBSM C

ARTISAN Tap Range Artisan Thermostatic Lever Handle Bath Shower Mixer Chrome



Features:

- Prioritises family safety with thermostatic control that maintains your pre-set maximum temperature of 38°C
- Override temperature limits when needed with the convenient safety override feature
- Control your experience with dual controls for separate flow and temperature adjustment
- Easily fit, maintain or replace with the WMNT 10 Fast Fixing Kit
- Built to last, backed by a lifetime parts and 1-year labour guarantee

Product Certifications:



WRAS Certificate No: 251103301
WRAS Expiry Date: 30/11/2030

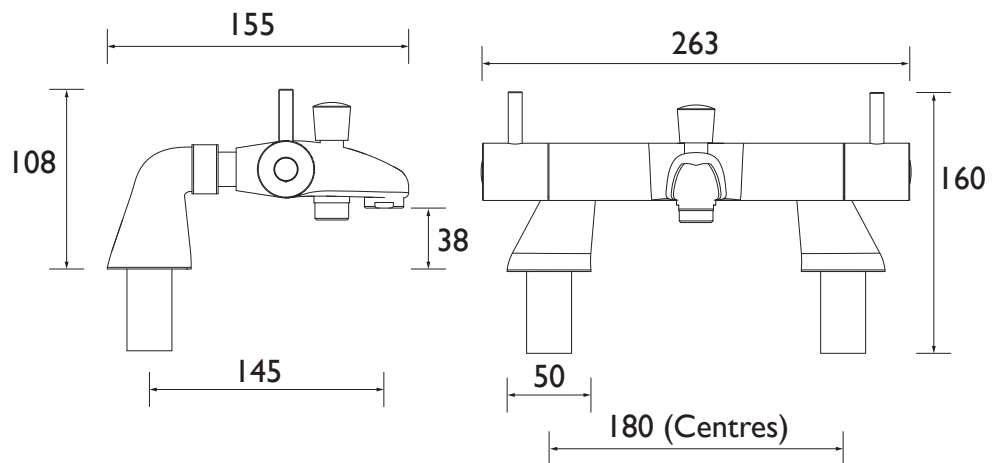
For more products, visit our website:
<http://www.bristan.com>



Specification

| | |
|--|---|
| Product Type: | Bathroom Tap |
| Main Construction Material: | Brass |
| Mount Type: | Deck |
| Handle Type: | Lever |
| Connection Inlet: | 3/4" BSP |
| Connection Outlet: | M24 Flow Straightener |
| Number of Tap Holes: | 2 |
| Valve/Cartridge Type: | 1/2" Ceramic Disc Valve & Thermostatic Cartridge |
| Plumbing System Requirements: | Suitable for Nominally Balanced Supply Pressures Only |
| Minimum Dynamic Pressure (bar): | 0.5 bar |
| Maximum Dynamic Pressure (bar): | 5 bar |
| Maximum Hot Water Temperature °C: | 60°C |
| Maximum Static Pressure (bar): | 10 bar |
| Flow Type: | Dual |
| Isolation Included: | No |

Dimensions (measurements in mm)



Flow Rates (l/min)

| System Pressure (bar) | 0.5 | 1 | 2 | 3 | 5 |
|-----------------------------|-----|------|------|------|------|
| Through Bath Filler (mixed) | 7.5 | 11.4 | 16.9 | 21.1 | 27.7 |

TECHNICAL DATA SHEET



BRISTAN

D7