

COB BAS C

COBALT Tap Range Cobalt Basin Mixer Chrome



Features:

- Save water without compromising performance thanks to the built-in 5L flow regulator.
- Supplied with everything you need for a hassle-free installation, including flexible tails and clicker waste
- Install with confidence using a robust metal fixing nut that keeps your tap securely in place
- Experience smooth, reliable operation thanks to the long-life ceramic cartridge
- Enjoy lasting brilliance with our flawless, scratch-resistant chrome finish that's salt spray-tested for durability

Product Certifications:



WRAS Certificate No: 250703005
WRAS Expiry Date: 31/07/2030



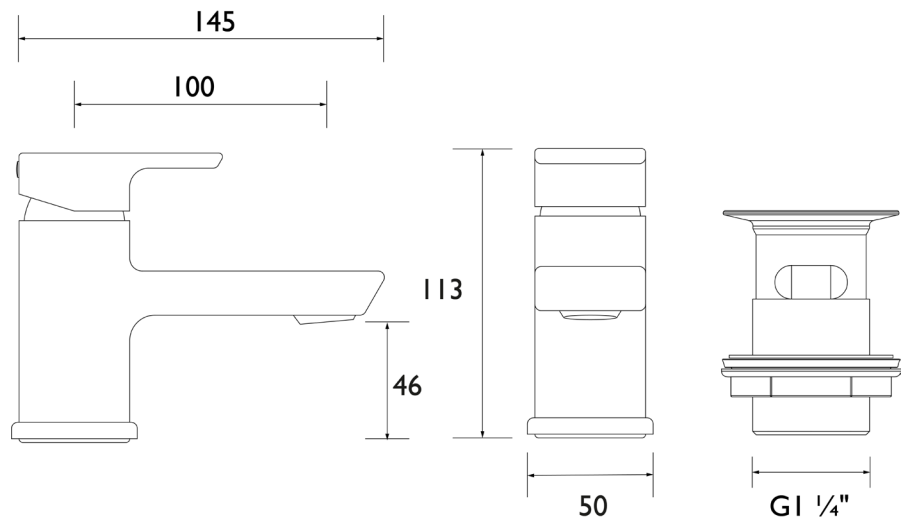
For more products, visit our website:
<http://www.bristan.com>



Specification

| | |
|--|-----------------------------------|
| Product Type: | Bathroom Taps |
| Main Construction Material: | Brass; ABS; Stainless Steel |
| Mount Type: | Deck |
| Handle Type: | Lever |
| Connection Inlet: | 1/2" BSP Flexible Tails |
| Connection Outlet: | M24 5lpm Flow Limited Aerator |
| Number of Tap Holes: | 1 |
| Valve/Cartridge Type: | 35mm Single Lever Cartridge |
| Plumbing System Requirements: | Suitable for all plumbing systems |
| Minimum Dynamic Pressure (bar): | 0.3 bar |
| Maximum Dynamic Pressure (bar): | 5 bar |
| Maximum Hot Water Temperature °C: | 60°C |
| Maximum Static Pressure (bar): | 10 bar |
| Flow Type: | Single |
| Isolation Included: | No |

Dimensions (measurements in mm)



Flow Rates (l/min)

| System Pressure (bar) | 0.3 | 0.5 | 1 | 2 | 3 | 5 |
|-----------------------|-----|-----|-----|-----|-----|-----|
| RP3 COB BAS C (mixed) | 2.6 | 3.4 | 4.7 | 4.8 | 4.6 | 4.8 |

TECHNICAL DATA SHEET



BRISTAN

D17