

Z2 TBV 1/2 C

COMMERCIAL Tap Range

Single Tall Body Pillar Basin Soft
Touch Timed Flow Tap Chrome



Features:

- Timed shut off to meet BS EN 816
- Soft touch easy to use mechanism
- Tall body is ideal for vessel basins or troughs
- Supplied with 5L/min flow regulator
- Operates at a minimum pressure of 0.5 bar

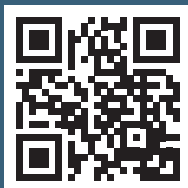
Product Certifications:



WRAS Cert. Number: 241003013
WRAS Expiry Date: 31/10/2029



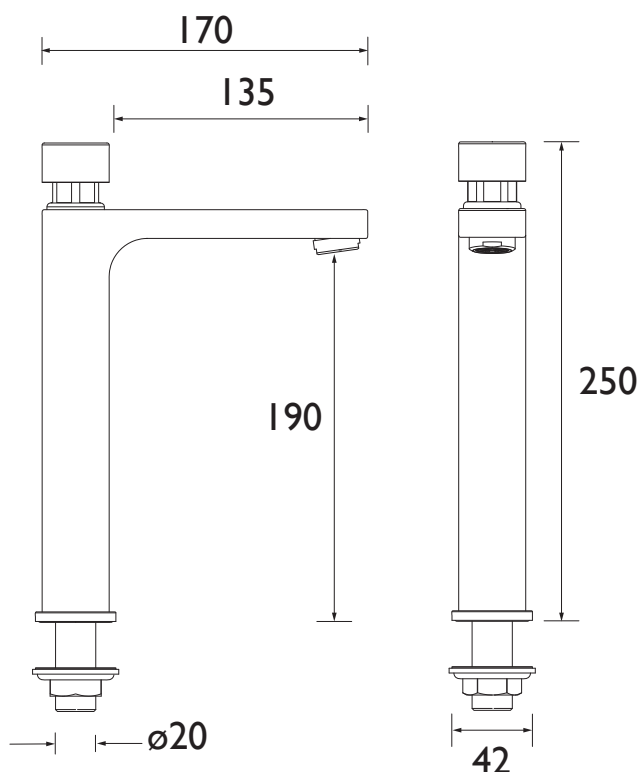
For more products, visit our website:
<http://www.bristan.com>



Specification

Product Type:	Commercial
Main Construction Material:	Brass
Mount Type:	Deck Mounted
Handle Type:	Round Handle
Connection Inlet:	1/2" BSP
Number of Tap Holes:	1
Valve/Cartridge Type:	Self Closing Valve
Plumbing System Requirements:	Suitable for all plumbing systems
Minimum Dynamic Pressure:	0.5 Bar
Maximum Dynamic Pressure:	5.0
Maximum Hot Water Temperature: °C	60
Maximum Static Pressure: (bar)	10
Flow Type:	Single Flow
Isolation Included:	No

Dimensions (measurements in mm)



Flow Rates (l/min)

System Pressure (bar)	1	2	3	5
Z2 TBV 1/2 C	5	5	5.3	5.5

TECHNICAL
DATA
SHEET



BRISTAN

D5