



## Features:

- Includes a handset that's easy to keep pristine, with rub-clean nozzles for effortless removal of limescale and debris
- Install with confidence using a robust metal fixing nut that keeps your tap securely in place
- Experience smooth, reliable operation thanks to the long-life ceramic disc valves
- Enjoy lasting brilliance with our flawless, scratch-resistant chrome finish that's salt spray-tested for durability
- Built to last, backed by a lifetime parts and 1-year labour guarantee

## Product Certifications:



WRAS Certificate No: 2303381  
WRAS Expiry Date: 31/03/2028



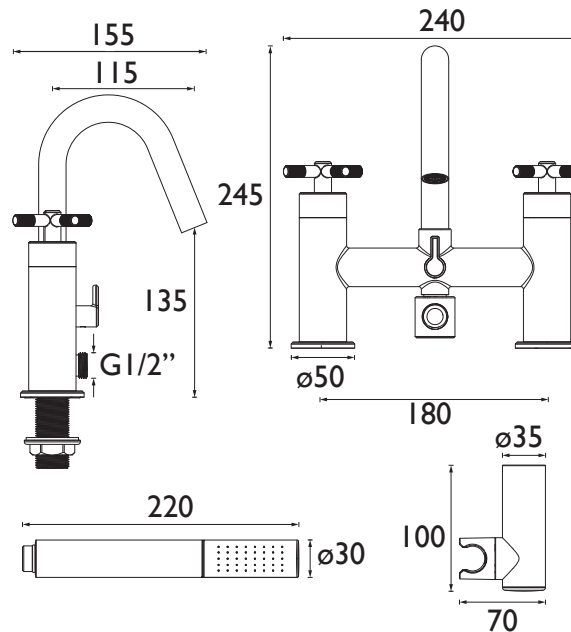
For more products, visit our website:  
<http://www.bristan.com>



## Specification

|  |                                    |
|--|------------------------------------|
| <b>Product Type:</b>                     | Bathroom Taps                      |
| <b>Main Construction Material:</b>       | Brass; ABS; Stainless Steel        |
| <b>Mount Type:</b>                       | Deck                               |
| <b>Handle Type:</b>                      | Crosshead                          |
| <b>Connection Inlet:</b>                 | 3/4" BSP                           |
| <b>Connection Outlet:</b>                | M16 Flow Straightener              |
| <b>Number of Tap Holes:</b>              | 2                                  |
| <b>Hose Length (mm):</b>                 | 1500                               |
| <b>Valve/Cartridge Type:</b>             | 3/4" Ceramic Disc Valve - 1/4 turn |
| <b>Plumbing System Requirements:</b>     | Suitable for all plumbing systems  |
| <b>Minimum Dynamic Pressure (bar):</b>   | 0.5 bar                            |
| <b>Maximum Dynamic Pressure (bar):</b>   | 5 bar                              |
| <b>Maximum Hot Water Temperature °C:</b> | 65°C                               |
| <b>Maximum Static Pressure (bar):</b>    | 10 bar                             |
| <b>Flow Type:</b>                        | Single                             |
| <b>Isolation Included:</b>               | No                                 |

## Dimensions (measurements in mm)



## Flow Rates (l/min)

| System Pressure (bar)       | 0.5  | 0.5  | 1    | 2    | 3    | 5    |
|-----------------------------|------|------|------|------|------|------|
| Through Bath Filler (mixed) | 12.9 | 12.9 | 19.2 | 27.5 | 32.3 | 50.4 |
| Through Handset (mixed)     | 6.8  | 6.8  | 10.1 | 14.9 | 18.7 | 23.8 |

# TECHNICAL DATA SHEET



# BRISTAN