

DUL 1/2 C

DU LEVER Tap Range Design Utility Lever Basin Taps Chrome



Features:

- Install with confidence using a robust metal fixing nut that keeps your tap securely in place
- Experience smooth, reliable operation thanks to the long-life ceramic disc valves
- Enjoy lasting brilliance with our flawless, scratch-resistant chrome finish that's salt spray tested for durability
- Built to last, backed by a lifetime parts and 1-year labour guarantee
- Pair with coordinating taps and accessories to complete the look

Product Certifications:



WRAS Certificate No: 2203908
WRAS Expiry Date: 31/03/2027



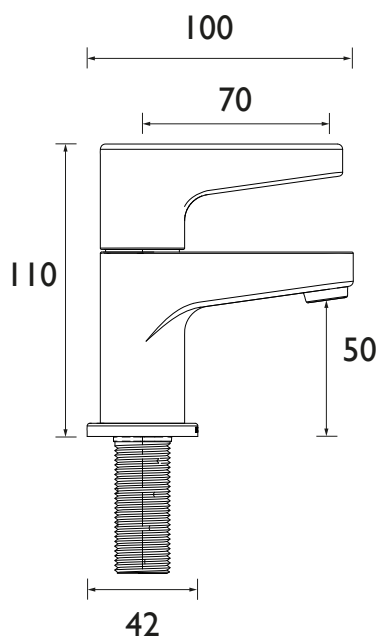
For more products, visit our website:
<http://www.bristan.com>



Specification

Product Type:	Bathroom Taps
Main Construction Material:	Brass
Mount Type:	Deck
Handle Type:	Lever
Connection Inlet:	1/2" BSP
Connection Outlet:	M16 Flow Straightener
Number of Tap Holes:	2
Valve/Cartridge Type:	1/2" Ceramic Disc Valve - 1/4 turn
Plumbing System Requirements:	Suitable for all plumbing systems
Minimum Dynamic Pressure (bar):	0.2 bar
Maximum Dynamic Pressure (bar):	5 bar
Maximum Hot Water Temperature °C:	65°C
Maximum Static Pressure (bar):	10 bar
Isolation Included:	No

Dimensions (measurements in mm)



Flow Rates (l/min)

System Pressure (bar)	0.2	0.5	1	2	3	5
DUL 1/2 C (Cold)	8.5	13.4	18.9	26.8	32.8	42.3
DUL 1/2 C (Hot)	8.5	13.4	18.9	26.8	32.8	42.3

TECHNICAL DATA SHEET



BRISTAN

D10