

DUL 3/4 C

DU LEVER Tap Range Design Utility Lever Bath Taps Chrome



Features:

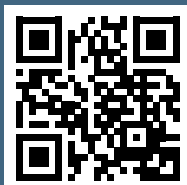
- Install with confidence using a robust metal fixing nut that keeps your tap securely in place
- Experience smooth, reliable operation thanks to the long-life ceramic disc valves
- Enjoy lasting brilliance with our flawless, scratch-resistant chrome finish that's salt spray tested for durability
- Built to last, backed by a lifetime parts and 1-year labour guarantee
- Pair with coordinating taps and accessories to complete the look

Product Certifications:



WRAS Certificate No: 2203908
WRAS Expiry Date: 31/03/2027

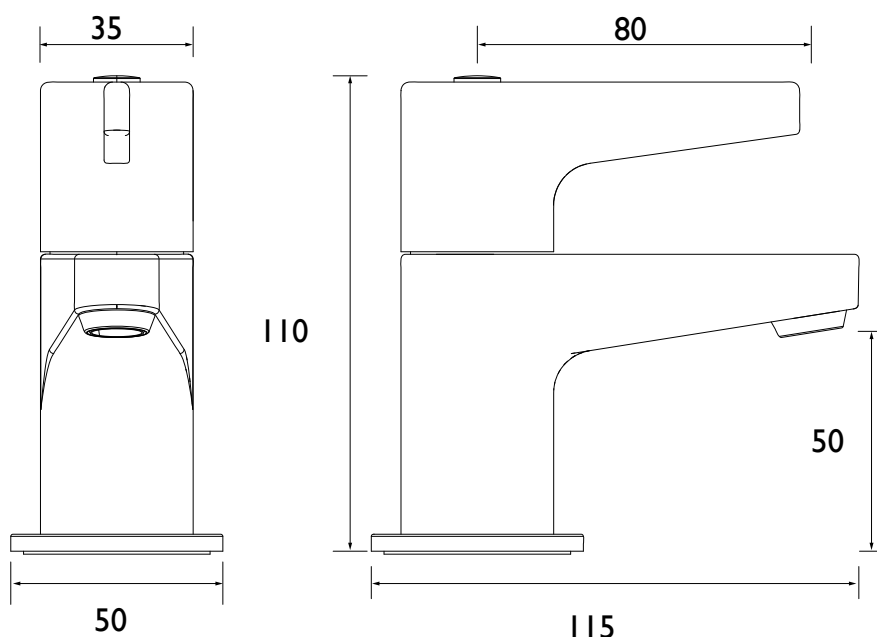
For more products, visit our website:
<http://www.bristan.com>



Specification

| | |
|--|-----------------------------------|
| Product Type: | Taps |
| Main Construction Material: | Brass |
| Mount Type: | Deck |
| Handle Type: | Lever |
| Connection Inlet: | 3/4" BSP |
| Connection Outlet: | M16 Aerator |
| Number of Tap Holes: | 2 |
| Valve/Cartridge Type: | 3/4" Ceramic Disc Valve 1/4 Turn |
| Plumbing System Requirements: | Suitable for all plumbing systems |
| Minimum Dynamic Pressure (bar): | 0.2 bar |
| Maximum Dynamic Pressure (bar): | 5 bar |
| Maximum Hot Water Temperature °C: | 65°C |
| Maximum Static Pressure (bar): | 10 bar |
| Isolation Included: | No |

Dimensions (measurements in mm)



Flow Rates (l/min)

| System Pressure (bar) | 0.2 | 0.5 | 1 | 2 | 3 | 5 |
|-----------------------|------|------|------|------|------|------|
| DUL 3/4 C (Cold) | 10.6 | 18.1 | 26.1 | 37.2 | 45.7 | 57.1 |
| DUL 3/4 C (Hot) | 10.6 | 18.1 | 26.1 | 37.2 | 45.7 | 57.1 |

TECHNICAL DATA SHEET



BRISTAN

D8