

# J THBSMVO C

## JAVA Tap Range Java Thermostatic Bath Shower Mixer Valve Only Chrome



### Specification

<b>Product Type:</b>	Bathroom Taps
<b>Main Construction Material:</b>	Brass; Zinc Alloy; ABS
<b>Mount Type:</b>	Deck
<b>Handle Type:</b>	Paddle
<b>Connection Inlet:</b>	3/4" BSP
<b>Connection Outlet:</b>	G 1/2"
<b>Number of Tap Holes:</b>	2
<b>Valve/Cartridge Type:</b>	3/4" Ceramic Disc Valve - 1/4 turn
<b>Plumbing System Requirements:</b>	Suitable for all plumbing systems, ideally balanced
<b>Minimum Dynamic Pressure (bar):</b>	0.1 bar
<b>Maximum Dynamic Pressure (bar):</b>	5 bar
<b>Maximum Hot Water Temperature °C:</b>	60°C
<b>Maximum Static Pressure (bar):</b>	10 bar
<b>Flow Type:</b>	Single
<b>Isolation Included:</b>	No

### Features:

- Stay safe with the thermostatic cartridge featuring a 42°C safety stop to prevent scalding, with override available when higher temperatures are required
- Effortlessly adjust temperature and flow with a single, easy-to-use control
- Stay protected with automatic shut-off if the hot or cold water supply fails
- Personalise your look with a wide range of compatible shower kits, sold separately
- Enjoy lasting brilliance with our flawless, scratch-resistant chrome finish that's salt spray tested for durability

### Product Certifications:

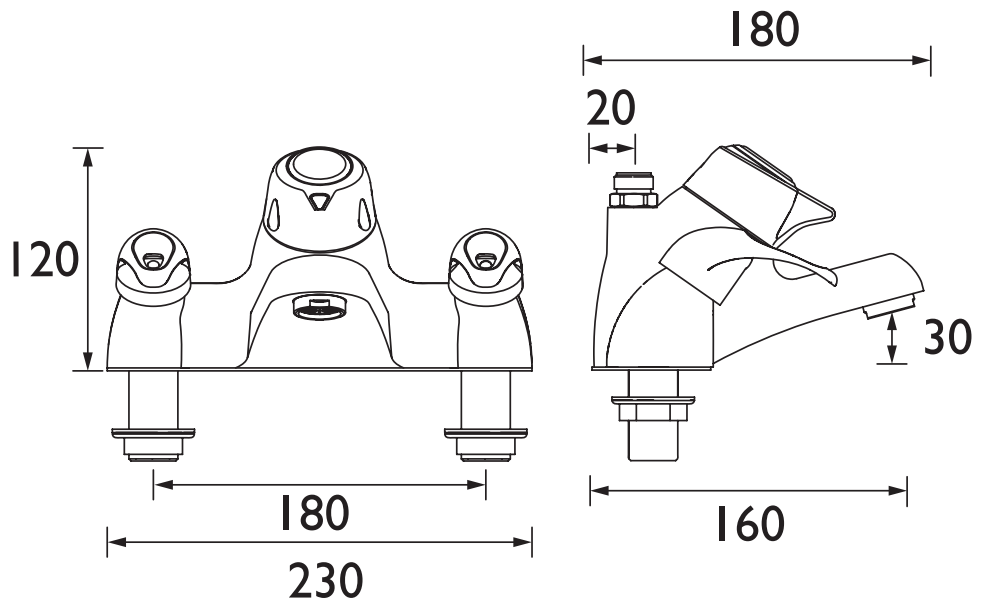


WRAS Certificate No: 251003304  
WRAS Expiry Date: 31/10/2030

For more products, visit our website:  
<http://www.bristan.com>



### Dimensions (measurements in mm)



### Flow Rates (l/min)

System Pressure (bar)	0.1	0.5	1	2	3	5
J THBSMVO C (Bath Filler Mixed)	19.7	44	62.2	87.9	107.7	139

## TECHNICAL DATA SHEET



# BRISTAN

D10