

PM 3/4 C

PRISM Tap Range Prism Bath Taps Chrome

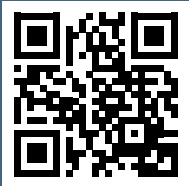


Features:

- Install with confidence using a robust metal fixing nut that keeps your tap securely in place
- Experience smooth, reliable operation thanks to the long-life ceramic disc valves
- Enjoy lasting brilliance with our flawless, scratch-resistant chrome finish that's salt spray tested for durability
- Built to last, backed by a lifetime parts and 1-year labour guarantee
- Pair with coordinating bathroom taps, recess showers, and accessories to complete the look

Product Certifications:

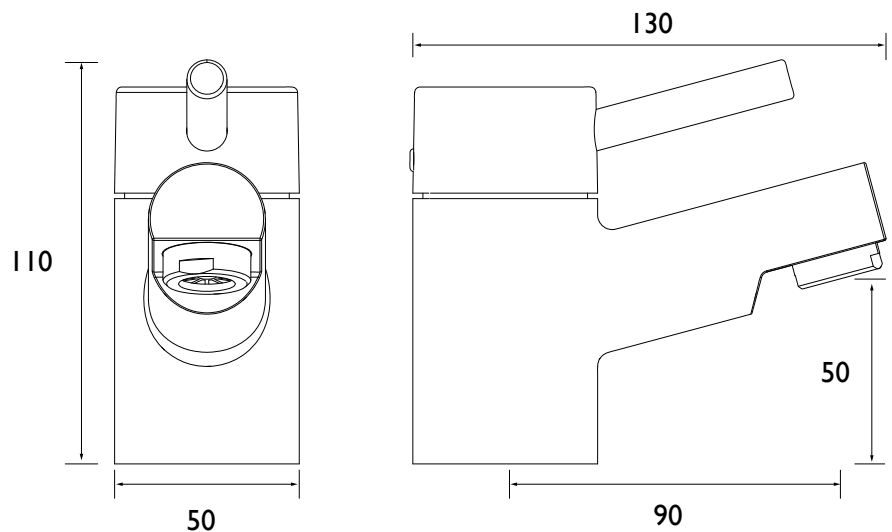
For more products, visit our website:
<http://www.bristan.com>



Specification

| | |
|--|------------------------------------|
| Product Type: | Bathroom Taps |
| Main Construction Material: | Brass |
| Mount Type: | Deck |
| Handle Type: | Lever |
| Connection Inlet: | 3/4" BSP |
| Connection Outlet: | M24 Flow Straightener |
| Number of Tap Holes: | 2 |
| Valve/Cartridge Type: | 3/4" Ceramic Disc Valve - 1/4 turn |
| Plumbing System Requirements: | Suitable for all plumbing systems |
| Minimum Dynamic Pressure (bar): | 0.2 bar |
| Maximum Dynamic Pressure (bar): | 5 bar |
| Maximum Hot Water Temperature °C: | 65°C |
| Maximum Static Pressure (bar): | 10 bar |
| Isolation Included: | No |

Dimensions (measurements in mm)



Flow Rates (l/min)

| System Pressure (bar) | 0.2 | 0.5 | 1 | 2 | 3 | 5 |
|-----------------------|------|------|------|------|------|------|
| PM 3/4 C (Cold) | 15.3 | 23.8 | 33.5 | 47.4 | 58 | 74.9 |
| PM 3/4 C (Hot) | 15.2 | 23.5 | 33.4 | 47.2 | 57.9 | 74.7 |

TECHNICAL
DATA
SHEET



BRISTAN

D6