

PM BAS C

PRISM Tap Range

Prism Basin Mixer with
Pop-up Waste Chrome



Features:

- Save water without compromising performance thanks to the built-in 5L flow regulator.
- Install with confidence using a robust metal fixing nut that keeps your tap securely in place
- Experience smooth, reliable operation thanks to the long-life ceramic cartridge
- Enjoy lasting brilliance with our flawless, scratch-resistant chrome finish that's salt spray tested for durability
- Built to last, backed by a lifetime parts and 1-year labour guarantee

Product Certifications:



WRAS Certificate No: 2109905
WRAS Expiry Date: 30/09/2026



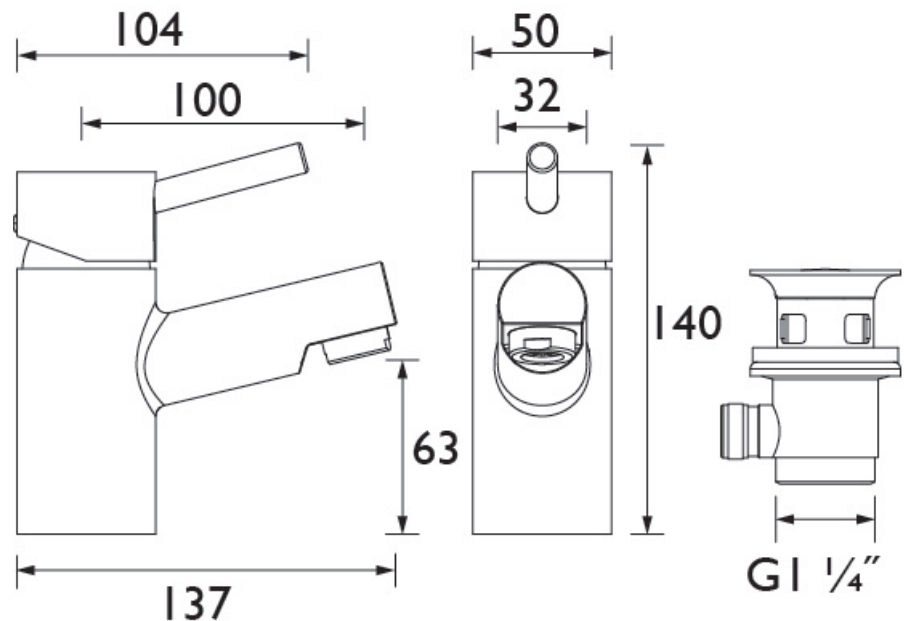
For more products, visit our website:
<http://www.bristan.com>



Specification

Product Type:	Bathroom Taps
Main Construction Material:	Brass; ABS; Stainless Steel
Mount Type:	Deck
Handle Type:	Lever
Connection Inlet:	15mm Compression Flexible Tails
Connection Outlet:	M24 5lpm Flow Limited Aerator
Number of Tap Holes:	1
Valve/Cartridge Type:	40mm Single Lever Cartridge
Plumbing System Requirements:	Suitable for all plumbing systems
Minimum Dynamic Pressure (bar):	0.2 bar
Maximum Dynamic Pressure (bar):	5 bar
Maximum Hot Water Temperature °C:	60°C
Maximum Static Pressure (bar):	10 bar
Flow Type:	Single
Isolation Included:	No

Dimensions (measurements in mm)



Flow Rates (l/min)

System Pressure (bar)	0.2	0.5	1	2	3	5
PM BAS C (mixed)	2.3	3.4	4.8	5.5	4.5	4.8

TECHNICAL
DATA
SHEET



BRISTAN

D17