

R 3/4 C

REGENCY Tap Range Regency Bath Taps Chrome



Features:

- Install with confidence using a robust metal fixing nut that keeps your tap securely in place
- Enjoy lasting brilliance with our flawless, scratch-resistant chrome finish that's salt spray tested for durability
- Built to last, backed by a lifetime parts and 1-year labour guarantee
- Pair with coordinating bathroom taps, recess showers, and accessories to complete the look

Product Certifications:



WRAS Certificate No: 260103303
WRAS Expiry Date: 31/01/2031

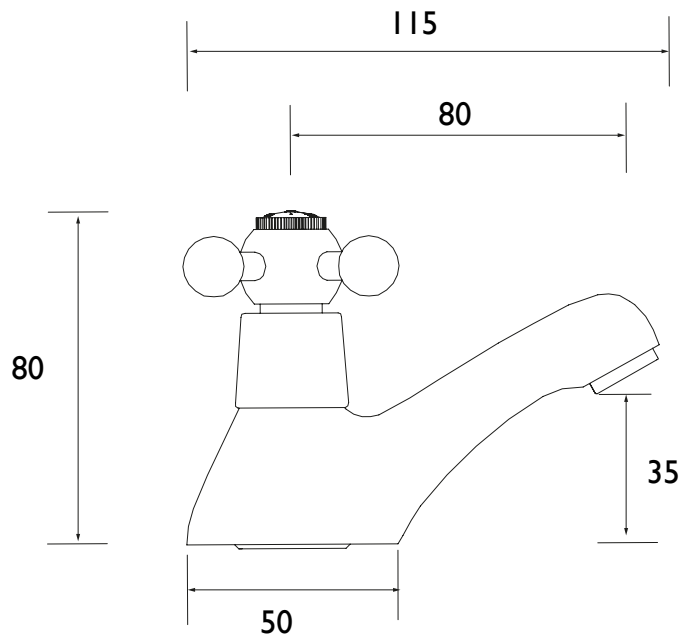
For more products, visit our website:
<http://www.bristan.com>



Specification

Product Type:	Bathroom Taps
Main Construction Material:	Brass
Mount Type:	Deck
Handle Type:	Crosshead
Connection Inlet:	3/4" BSP
Connection Outlet:	Flow Straightener
Number of Tap Holes:	2
Valve/Cartridge Type:	1/2" Compression Valve
Plumbing System Requirements:	Suitable for all plumbing systems
Minimum Dynamic Pressure (bar):	0.2 bar
Maximum Dynamic Pressure (bar):	5 bar
Maximum Hot Water Temperature °C:	65°C
Maximum Static Pressure (bar):	10 bar
Isolation Included:	No

Dimensions (measurements in mm)



Flow Rates (l/min)

System Pressure (bar)	0.2	0.5	1	2	3	5
R 3/4 C (Cold)	16.5	26.3	38.5	54.5	66.7	86.1
R 3/4 C (Hot)	16.5	26.4	38.3	54.2	66.3	85.6

TECHNICAL DATA SHEET



BRISTAN

D7