

MI BAS C

MILA Tap Range Mila Basin Mixer Tap with Clicker Waste Chrome



Features:

- Save water without compromising performance thanks to the built-in 5L flow regulator.
- Supplied with everything you need for a hassle-free installation, including flexible tails and clicker waste
- Install with confidence using a robust metal fixing nut that keeps your tap securely in place
- Experience smooth, reliable operation thanks to the long-life ceramic cartridge
- Enjoy lasting brilliance with our flawless, scratch-resistant chrome finish that's salt spray-tested for durability

Product Certifications:



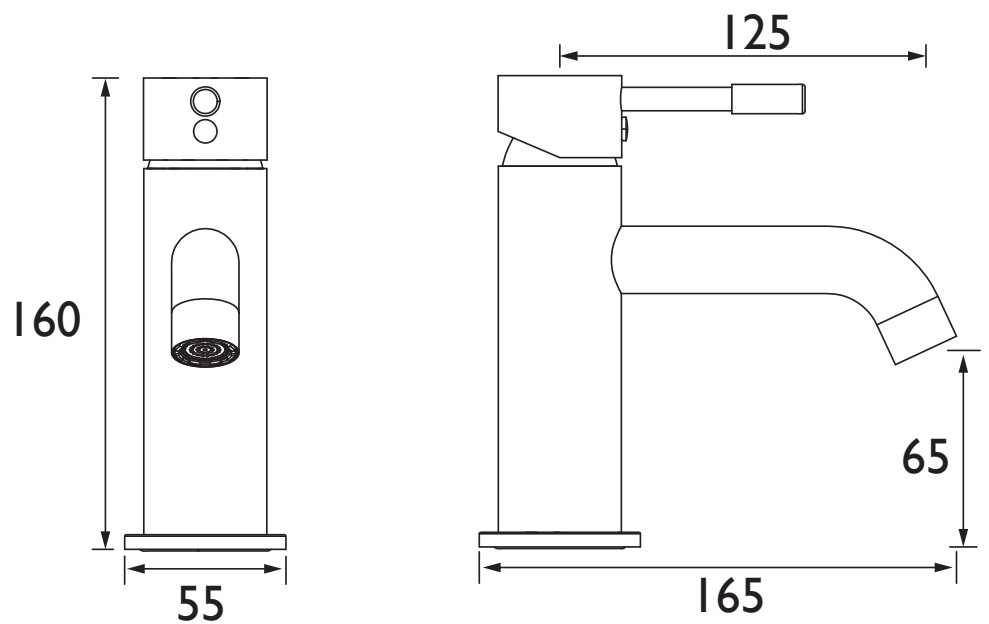
WRAS Certificate No: 2204908
WRAS Expiry Date: 30/04/2027



Specification

Product Type:	Bathroom Taps
Main Construction Material:	Brass; ABS; Stainless Steel
Mount Type:	Deck
Handle Type:	Lever
Connection Inlet:	1/2" BSP Flexible Tails
Connection Outlet:	M22 Cache 5lpm Flow Limited Aerator
Number of Tap Holes:	1
Valve/Cartridge Type:	35mm Single Lever Cartridge
Plumbing System Requirements:	Suitable for all plumbing systems
Minimum Dynamic Pressure (bar):	0.5 bar
Maximum Dynamic Pressure (bar):	5 bar
Maximum Hot Water Temperature °C:	60°C
Maximum Static Pressure (bar):	10 bar
Flow Type:	Single
Isolation Included:	No

Dimensions (measurements in mm)



Flow Rates (l/min)

System Pressure (bar)	0.5	1	2	3	5
MI BAS C (mixed)	2.7	3.8	4.6	4.6	4.7

TECHNICAL DATA SHEET



BRISTAN

D4