

OD SNK C

ODYSSEY Tap Range Odyssey Monobloc Sink Mixer Chrome



Features:

- Supplied with everything you need for a hassle-free installation, including flexible tails and fixing kit
- Install with confidence, thanks to the high quality metal fixings that keep your tap securely in place
- Experience smooth, reliable operation thanks to the long-life ceramic cartridge
- Enjoy lasting brilliance with our flawless, scratch-resistant chrome finish that's salt spray tested for durability
- Built to last, backed by a lifetime parts and 1-year labour guarantee

Product Certifications:



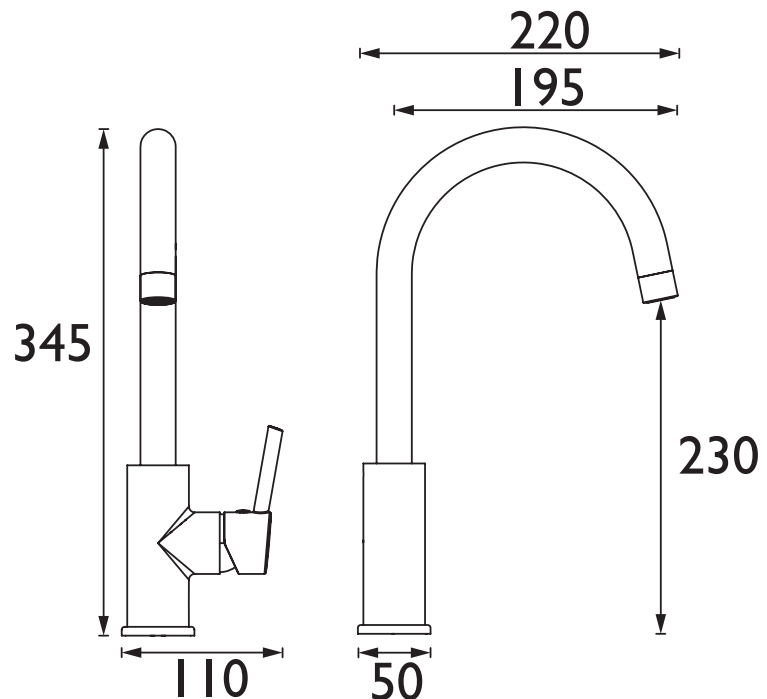
WRAS Certificate No: 2204905
WRAS Expiry Date: 30/04/2027



Specification

Product Type:	Kitchen Taps
Main Construction Material:	Brass; ABS; Stainless Steel
Mount Type:	Deck
Handle Type:	Lever
Connection Inlet:	1/2" BSP Flexible Tails
Connection Outlet:	M22 Flow Straightener
Number of Tap Holes:	1
Valve/Cartridge Type:	35mm Single Lever Cartridge
Plumbing System Requirements:	Suitable for all plumbing systems
Minimum Dynamic Pressure (bar):	0.5 bar
Maximum Dynamic Pressure (bar):	5 bar
Maximum Hot Water Temperature °C:	60°C
Maximum Static Pressure (bar):	10 bar
Flow Type:	Single
Isolation Included:	No

Dimensions (measurements in mm)



Flow Rates (l/min)

System Pressure (bar)	0.5	1	2	3	5
OD SNK C (mixed)	7.6	11.2	15.9	19.6	25.5

TECHNICAL DATA SHEET



BRISTAN

D4