

NAP BF C

NAPOLI Tap Range

Napoli Bath Filler



Features:

- Install with confidence using a robust metal fixing nut that keeps your tap securely in place
- Experience smooth, reliable operation thanks to the long-life ceramic disc valves
- Enjoy lasting brilliance with our flawless, scratch-resistant chrome finish that's salt spray-tested for durability
- Built to last, backed by a lifetime parts and 1-year labour guarantee
- Pair with coordinating bathroom taps to complete the look

Product Certifications:



WRAS Certificate No: 2306906
WRAS Expiry Date: 30/06/2028

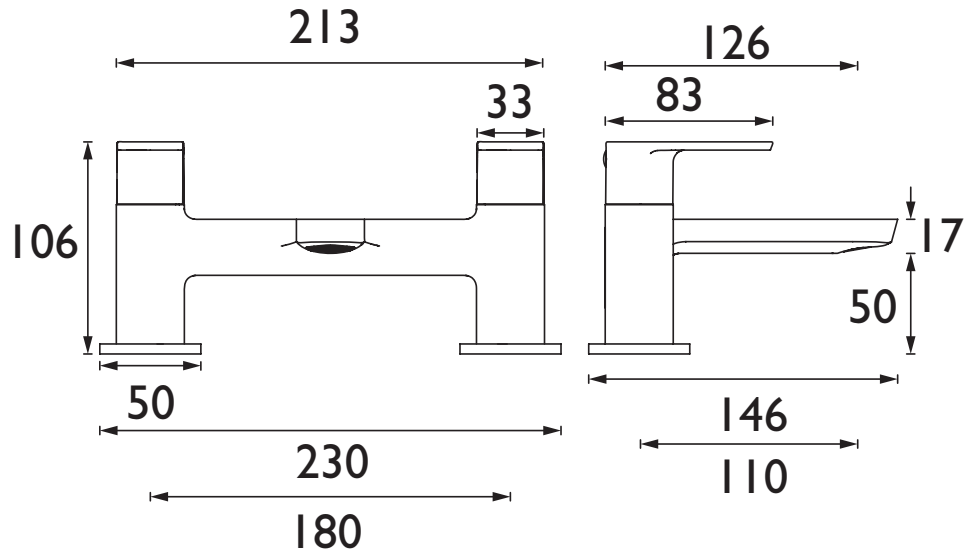
For more products, visit our website:
<http://www.bristan.com>



Specification

Product Type:	Bathroom Taps
Main Construction Material:	Brass; ABS; Stainless Steel
Mount Type:	Deck
Handle Type:	Lever
Connection Inlet:	3/4" BSP
Connection Outlet:	M24 Cache Aerator
Number of Tap Holes:	2
Valve/Cartridge Type:	3/4" Ceramic Disc Valve - 1/4 turn
Plumbing System Requirements:	Suitable for all plumbing systems
Minimum Dynamic Pressure (bar):	0.2 bar
Maximum Dynamic Pressure (bar):	5 bar
Maximum Hot Water Temperature °C:	60°C
Maximum Static Pressure (bar):	10 bar
Flow Type:	Single
Isolation Included:	No

Dimensions (measurements in mm)



Flow Rates (l/min)

System Pressure (bar)	0.2	0.5	1	2	3	5
NAP BF C (mixed)	14.2	23.4	34.5	48.6	59.5	76.8

TECHNICAL DATA SHEET



BRISTAN

D5