

SAF ES SMBAS BB

SAFFRON Tap Range Saffron Eco Start Small Basin Mixer Brushed Brass



Features:

- Reduce energy usage with our Eco Start technology - the tap runs cold when the lever is in the central position and only activates hot water when needed, helping cut unnecessary boiler use
- Save water without compromising performance thanks to the built-in 5L flow regulator.
- Supplied with everything you need for a hassle-free installation, including flexible tails and clicker waste
- Install with confidence using a robust metal fixing nut that keeps your tap securely in place
- Experience smooth, reliable operation thanks to the long-life ceramic cartridge

Product Certifications:



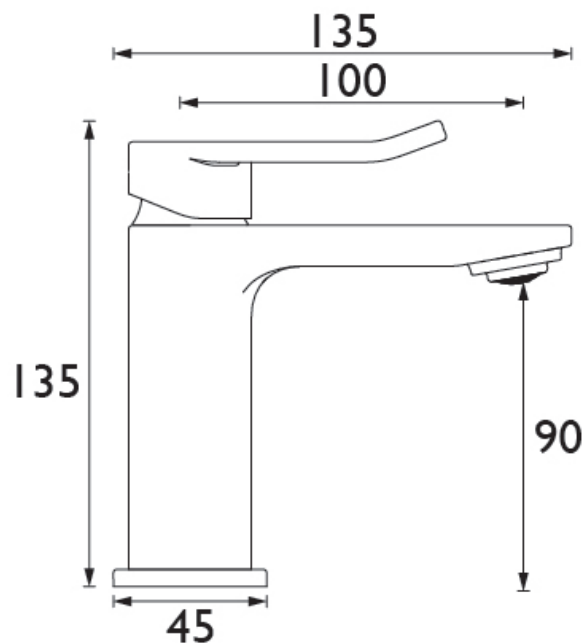
WRAS Certificate No: 2307906
WRAS Expiry Date: 31/07/2028



Specification

Product Type:	Bathroom Taps
Main Construction Material:	Brass; ABS; Stainless Steel
Mount Type:	Deck
Handle Type:	Lever
Connection Inlet:	1/2" BSP Flexible Tails
Connection Outlet:	M24 5lpm Coin-Slot Flow Limited Aerator
Number of Tap Holes:	1
Valve/Cartridge Type:	28mm Eco-Start Cartridge
Plumbing System Requirements:	Suitable for all plumbing systems
Minimum Dynamic Pressure (bar):	0.5 bar
Maximum Dynamic Pressure (bar):	5 bar
Maximum Hot Water Temperature °C:	65°C
Maximum Static Pressure (bar):	10 bar
Flow Type:	Single
Isolation Included:	No

Dimensions (measurements in mm)



Flow Rates (l/min)

System Pressure (bar)	0.5	0.5	1	2	3	5
SAF ES SMBAS BB (mixed)	2.5	2.5	3.5	4.5	4.8	5.1

TECHNICAL
DATA
SHEET



BRISTAN

D3